



徐工徐工 助您成功  
XCMG FOR YOUR SUCCESS

# XDR80T 三桥刚性矿车

## XDR80T TRI AXLE RIGID MINING TRUCK



- 额定载重 Payload (kg) : **72000**
- 额定功率 Rated Power (kW/rpm) : **353/1900**
- 最大爬坡度 Max Gradeability (%) : **30**

# 高生产率 HIGH PRODUCTIVITY

## ● 高性能发动机 High Performance Engine

XDR80T搭载玉柴480马力电控柴油发动机。燃油经济性好，动力充沛；发动机监控系统可实时监控各气缸的工作状况，延长发动机使用寿命，降低使用成本；先进的全电控系统，保障发动机在不同海拔高度和负载条件下的最佳性能。

XDR80T is equipped with Yuchai 480 HP electronically controlled diesel engine, which has good fuel economy and abundant power; the engine monitoring system can monitor the working conditions of each cylinder in real time, prolong the service life of the engine and reduce the cost; the advanced fully electronic control system ensures the best performance of the engine under different sea level and load conditions.



## ● 可靠的制动系统 Reliable braking system

- XDR80T三桥刚性矿车有以下制动模式：  
  行驶一体气盘式制动：整车制动系统采用钳盘式结构，制动稳定性好。  
  辅助制动：发动机缸内制动，变速箱缓行。

XDR80T tri axle rigid mining truck has the following braking modes:  
Integrated air disc brake: the brake system of the whole vehicle adopts caliper disc structure, which has good braking stability.  
Auxiliary brake: Engine brake. Hydraulic retarder.



# 舒适安全

## COMFORTABLE AND SAFE

### ● 舒适的座椅

#### Comfortable seat

高靠背座椅减震舒适，配备副驾驶席。

The high back seat has shock absorption function and is very comfortable. It is equipped with a co-pilot seat.



### ● 内饰配备齐全

#### The interior is fully equipped

各种显示仪表、报警器、照明、控制开关、收音机、车载电脑、可倾斜伸缩式方向盘、电动风挡雨刷及清洗器、冷暖空调等配备齐全。

All kinds of display instruments, alarms, lighting, control switches, radios, on-board computers, tiltable and retractable steering wheels, electric windshield wiper and washer, heating and cooling air-conditioning, etc. are fully equipped.



### ● 全景倒车辅助视频系统

#### Panoramic reversing auxiliary video system

实时获取周边视频影像，保证行车安全。

Real-time access to surrounding video images to ensure driving safety.



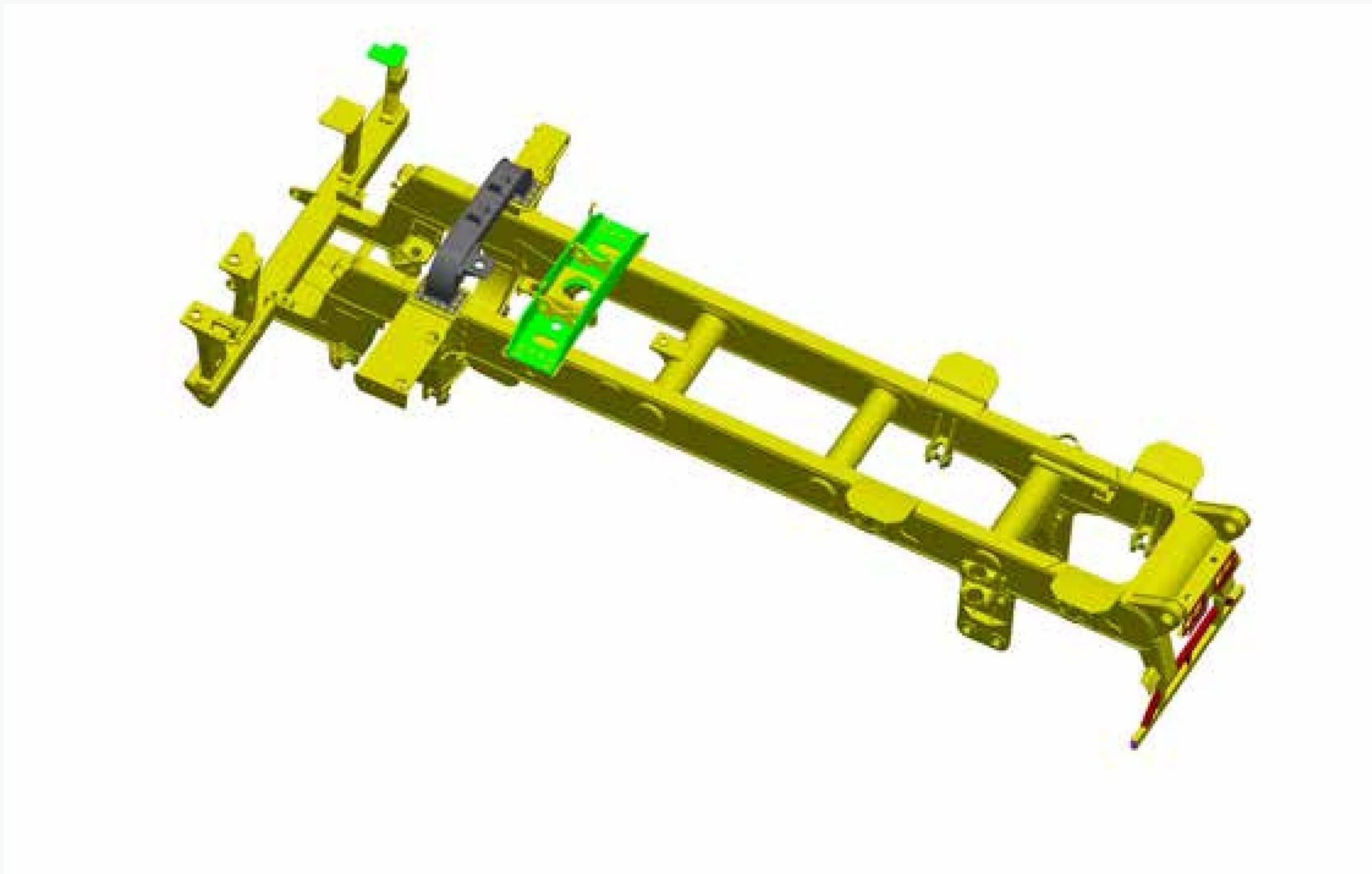
# 行驶平稳

## SMITH AND STEADY

### ● 车架 Frame

车架由平行左右纵梁和横梁组成，横梁与纵梁一起构成封闭结构；纵梁为箱型截面结构，横梁为抗扭管形式，可以消除弯曲和开裂应力集中源；车架采用优质低合金高强度钢制造，提高车架的强度；重要焊缝100%经超声波探伤。可拆卸式的上龙门梁，方便发动机的吊装。采用计算机辅助设计，并进行有限元优化分析。

The frame is composed of parallel left and right longitudinal beams and cross beams. The cross beams and the longitudinal beam together form a closed structure; The longitudinal beam is of box section structure, and the cross beam is in the form of anti-torsion tubes, which can eliminate the stress concentration source of bending and cracking; the frame is made of high-quality low-alloy high-strength steel to improve the strength of the frame; Important welds are 100% inspected by ultrasonic. The detachable upper gantry beam is convenient for lifting of the engine. Computer aided design and finite element optimization analysis are used.



## ● 货厢 Body

货厢底板、侧板选用高强度耐磨钢，使用寿命长，轻量化设计，可为用户创造更大价值；货厢底面为平板结构，有利于增加结构可靠性；底板与侧板过渡处采用三角板加固的形式，卸载不易粘料；车架内侧配备举升安全杆，为车辆检修人员提供检修空间以及安全保障。

The bottom plate and side plate of the body are made of high-strength wear-resistant steel with long service life and lightweight design, which can create greater value for users; the bottom surface of the freight body is of flat structure, which is conducive to increase the structural reliability; the transition between the bottom plate and the side plate is reinforced by triangular plate, so that the material can be easily unloaded; the inside of the frame is equipped with lifting safety bar, which can provide maintenance space and safety guarantee for vehicle maintenance personnel.



## ● 悬架系统 Suspension

- XDR80T矿用自卸车前悬架采用麦弗逊独立悬架，左右对称，保证车轮定位可靠，行驶稳定、舒适；油气悬架通过关节轴承与车架和前后车桥相铰接，活塞杆外露部分由可伸缩护套保护；能够适应承载和路面状况的变化，快速吸收冲击，衰减振动，保证行驶平顺。

The front suspension of XDR80T mining dump truck adopts McPherson independent suspension, which is symmetrical to the left and right to ensure reliable wheel positioning, smooth and comfortable driving; the hydro-pneumatic suspension is hinged with the frame and front and rear axles through the joint bearing, and the exposed part of the rod is protected by the retractable sheath; it can adapt to the changes of load and road conditions, quickly absorb the impact, reduce vibration, and ensure smooth driving.

- 前悬架:麦弗逊独立悬架，油气悬架缸。  
Front suspension: McPherson independent suspension, hydro-pneumatic suspension cylinder.

- 后悬架:四连杆和横向稳定杆结构，油气悬架缸，并在中后桥采用双气室储能器，车辆空满载时偏频变化小，保证驾乘舒适性。  
Rear suspension: four-bar linkage and lateral stabilizer bar structure, hydro-pneumatic suspension cylinder, and double chamber accumulator in the middle and rear axle. The frequency deviation changes little when the vehicle is empty and full, so as to ensure the driving comfort.



## ● 转向 Steering

全液压动力转向，转向平稳、响应精度高；配备应急转向功能，由蓄能器提供动力，保证行车安全；断开式转向梯形，大转角时更符合阿克曼几何关系，减少轮胎磨损。

Full hydraulic power steering, stable steering and high response accuracy; equipped with emergency steering function, powered by accumulator to ensure driving safety; disconnected steering trapezoid, more in line with Ackerman steering geometry at large turning angles, which can reduce tire wear.



## ● 轮胎 Tires

- 选用16.00R25子午线的工程轮胎，保证足够的地面附着能力，使整机获得足够的牵引力，提高了车辆的通过性。  
The 16.00R25 radial engineering tire is selected to ensure enough ground adhesion capacity, make the whole machine obtain enough traction force and improve the trafficability of the vehicle.
- 配备大直径轮胎，整车离地间隙大，通过性好；轮胎无超载，使用寿命长。  
Equipped with large diameter tires, the vehicle ground clearance is large, good trafficability; no overloading, long service life.



## ● 照明系统

### Lighting system

照明系统全部为LED灯，由前大灯、转向灯、轮廓灯、停车灯、倒车灯、维修灯等组成；照明与警示灯的位置合理，满足各种天气环境下作业时的照明与警示要求；控制和工作电压为DC 24V。



All lighting systems are LED lamps, which are composed of headlamp, turn signal, contour lamp, parking lamp, reversing lamp, maintenance lamp, etc.; the location of lighting and warning lights is reasonable, which can meet the lighting and warning requirements in various weather conditions; the control and working voltage is DC 24V.

## 维护方便

### EASY MAINTENANCE

## ● 自动润滑系统

### Automatic lubrication system

自动润滑系统定期润滑各部件，减少保养时间，降低维修成本。

The automatic lubrication system can regularly lubricate all parts, reduce maintenance time and maintenance cost.



## ● 安全装置

### Safety device

驾驶室配备三点式座椅安全带、逃生锤、急停开关，整车配备倒车影像系统、紧急信号灯、倒车警告、防滑行走表面、护栏等。

The cab is equipped with three-point seat belt, emergency hammer and emergency stop switch. The vehicle is equipped with reversing image system, emergency signal light, reversing warning, anti-skid walking surface, guardrail, etc.



## ● 随机备件及工具

### Spare parts and tools

配备一套随机工具和易损件。

Equipped with a set of tools and wearing parts.

# 主要参数/ Main Specifications

## 性能参数/ Performance Parameters

额定载重 Payload	72000kg		
空载车重 Empty Weight	34000kg		
整车总质量 Gross Vehicle Weight (GVW)	106000kg		
驱动形式 Axle configuration	6 × 4		
最高车速 Max. vehicle speed	45Km/h		
最大爬坡度 Max.gradeability	30%		
最小转弯直径 Min. turning diameter	22m		
重量分布 Weight Distribution	空载 Empty	前桥Front	33% 中、后桥 Rear 67%
	满载 Loaded	前桥Front	20% 中、后桥 Rear 80%
货厢标准容积 Body Capacity	2:1堆装 (Heaped SAE 2:1)	30~50m <sup>3</sup>	
外形尺寸 (空载, 长×宽×高) Overall dimension (EMPTY, L×W×H)	9374 × 4338 × 4116mm		

## 主要部件/ Main Parts

### 发动机 Engine

型号 Model	YC6K480-GT30
额定功率/转速 Rated Power/Speed	353kW/1900rpm
最大扭矩/转速 Max. Torque/Speed	2200Nm/1100~1500rpm

### 传动系 Drivetrain

变速箱 Transmission	法士特FAST8DS240A	
驱动桥 Drive Axle	主减速比Differential Ratio	4.625
	轮边速比Planetary Reduction	3.478
	总速比Total Reduction Ratio	16.086

### 轮胎与轮辋 Tires And Rims

标准轮胎 Standard Tire	16.00R25
标准轮辋 Standard Rim	11.25/2.0

### 驾驶室 Cab

类型 Type	FOPS驾驶室 FOPS Cab
---------	------------------

### 制动系统 Brake System

类型 Type	气压盘式制动Pneumatic Disc Brake
---------	----------------------------

### 悬架系统 Suspension

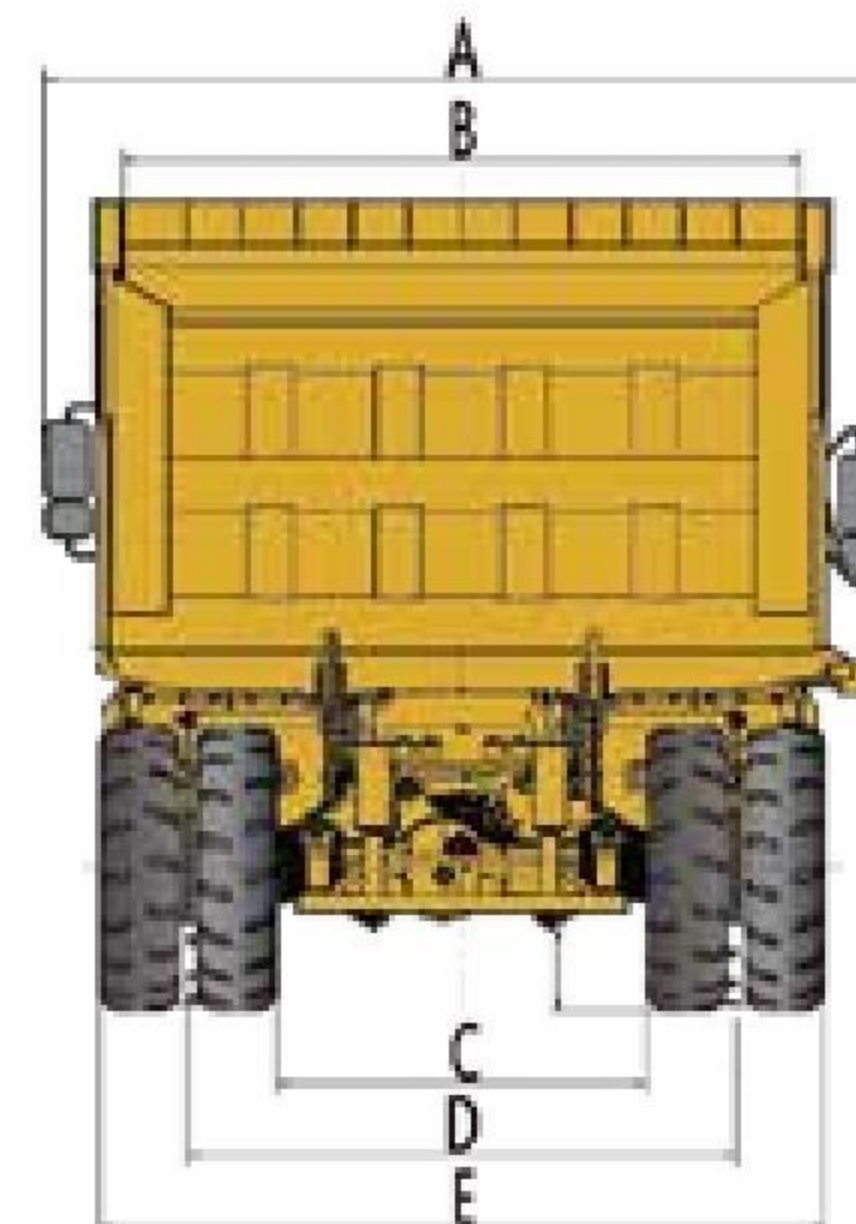
类型 Type	三桥全油气悬架系统 Hydraulic full suspension on all wheels
前悬架 Front Suspension	麦弗逊独立前悬架 McPherson, Hydro-pneumatic suspension
后悬架 Rear Suspension	油气平衡悬架 Hydro-Pneumatic Balanced Suspension

### 液压系统 Hydraulic System

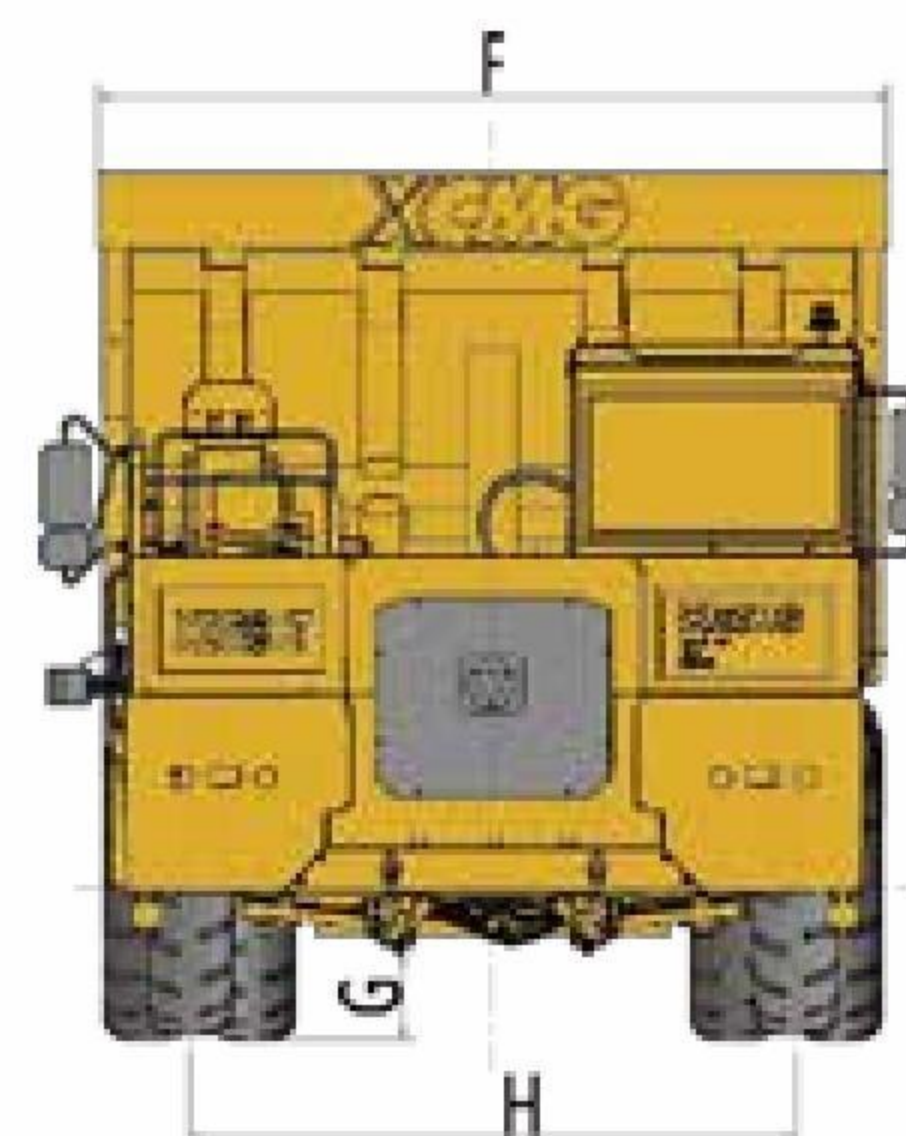
转向 Steering	全液压转向系统, 具备应急转向功能 Full Hydraulic Steering System, Emergency steering automatically applied by accumulator
-------------	--

### 电气系统 Electrical System

24 V



A:4888 B:3900 C:2010  
D:2984 E:3950



F:4338 G:364 H:3094



I:4116 J:1697 K:514  
L:1766 M:3800 N:1750  
O:9374 P:770 Q:3400  
R:8661

材料和规格可随时改变, 恕不另行通知  
Materials and specifications may be changed at any time without prior notice