

KOMATSU®

PC1250-11R

HYDRAULIC EXCAVATOR

PC1250



Photos may include optional equipment.

HORSEPOWER

Gross: 578 kW 775 HP/1800 min⁻¹
Net: 560 kW 750 HP/1800 min⁻¹

OPERATING WEIGHT

Backhoe: 116400 - 118800 kg
Loading shovel: 119700 - 119900 kg

BUCKET CAPACITY

Backhoe: 3.40 - 7.00 m³
Loading shovel: 6.50 - 7.20 m³

WALK-AROUND

*With excellent economy
and high productivity,
PC1250 moves to a new stage.*

PC1250-11R



HORSEPOWER

Gross: 578 kW 775 HP/1800 min⁻¹
Net: 560 kW 750 HP/1800 min⁻¹

OPERATING WEIGHT

Backhoe: 116400 - 118800 kg
Loading shovel: 119700 - 119900 kg

BUCKET CAPACITY

Backhoe: 3.40 - 7.00 m³
Loading shovel: 6.50 - 7.20 m³

Workability & Reliability Features

- **Productivity increased up to 8% at P+ mode** **NEW**
(Comparison of PC1250-11R P+ mode and PC1250-8 P mode)
- **Enhanced efficiency due to powerful and smooth work**
- **Highly durable and reliable Komatsu designed components**
- **Highly durable work equipment with powerful digging force**
- **Pre-cleaner (Standard)** **NEW**

Ecology & Economy Features

- **Fuel consumption reduced by 6%** (Comparison of PC1250-11R P mode and PC1250-8 P mode) **UPGRADE**
- **Auto idle stop function** **NEW**

Comfortable Features

- **New wide, comfortable and low noise CAB** **UPGRADE**

Safety Features

- **Hydraulically operated stairway (Optional)** **NEW**
- **Lock lever auto lock function** **NEW**
- **Engine emergency shut down switch (Optional)** **NEW**
- **Operator's cab OPG level 2 (ISO 10262)**
- **All-around machine handrail with foot guard (ISO 2867)** **UPGRADE**
- **LED light (Standard)** **NEW**

Information & Communication Technology (ICT)

- **Machine monitor with evolutionary interface** **NEW**
- **KomVision** **NEW**
- **High resolution, easy-to-use color monitor provides powerful support for energy saving operation**
- **Operator identity function provides improved machine management and production records** **NEW**

KOMTRAX Plus

- **New KOMTRAX Plus allows immediate diagnostics of machine** **UPGRADE**

Maintenance Features

- **New maintenance features provided throughout the machine help reduce inspection time, maintenance work and also machine downtime**
- **Various kinds of maintenance information are displayed clearly on the monitor screen**

WORKABILITY & RELIABILITY

Power Plus Mode NEW

The PC1250-11R excavator is newly equipped with Power plus (P+) mode in addition to power (P) and economy (E) mode.

P+ mode greatly increases the productivity.

P+ mode productivity

increased by 8%

VS. PC1250-8 P mode (90° swing and loading onto truck)

Three Work Modes for Large-working Volume & Low Fuel Consumption NEW

In addition to the newly added [P + mode], the new [P mode] has reduced fuel consumption with the same production volume as the conventional P mode, and the new [E mode] which has same speed at light load as the conventional P mode with further reduced fuel consumption.

The three work modes can be selected with one touch using the monitor switch.



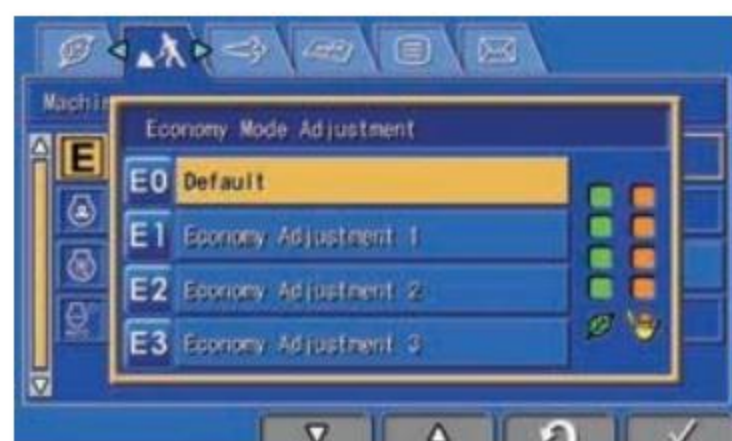
P mode fuel efficiency

increased by 6% vs. PC1250-8 P mode
2% vs. PC1250-8R P mode

VS. PC1250-8 P mode (90° swing and loading onto truck)

Multiple E mode Setting for Reduced Fuel Consumption

For work that requires reduced fuel consumption, three stages of E mode can be selected to flexibly adapt to any operating condition.



Heavy Lift Mode

Gives the operator 10% more lifting force on the boom when needed for handling rock or heavy lifting applications.

Swing Priority Setting

The swing priority setting allows the operator to use the same comfortable control lever motion for 180° loading as 90° loading operations.

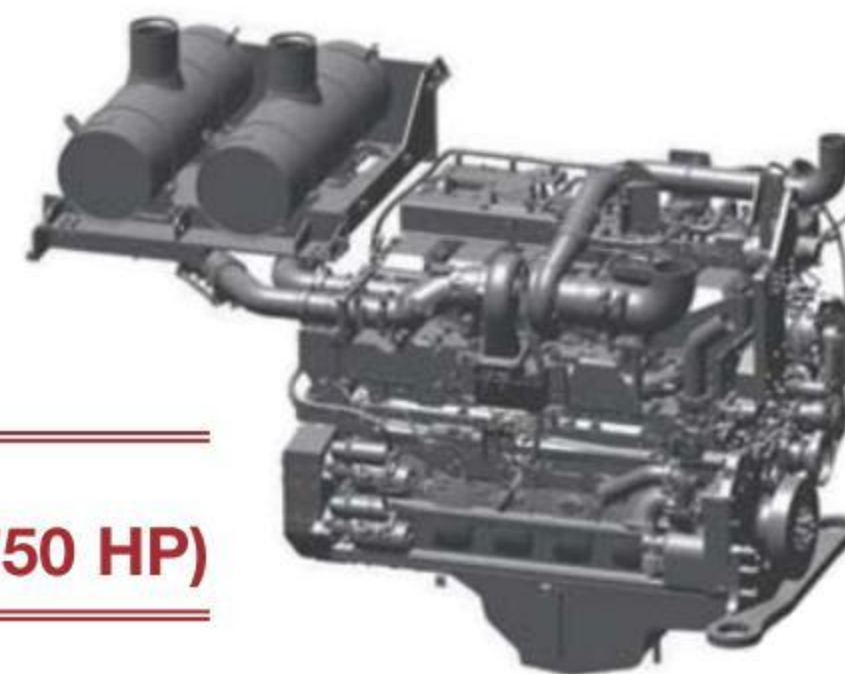
By altering the oil flow, this setting allows you to select either boom or swing as the priority for increased production.



Heavy Lift Mode Swing Priority Setting

High Power SAA6D170E-7 Engine NEW

Equipped with the enhanced new SAA6D170E-7 engine, heavy duty work can be executed without stress.



Horsepower (Net)

560 kW (750 HP)

Large Digging Force

Thanks to the high engine output and an excellent hydraulic system, this machine delivers a powerful digging force.

Maximum arm crowd force (ISO 6015)

PC1250-11R
PC1250-11R SP spec. **412 kN (42.0 t)**

Maximum bucket digging force (ISO 6015)

PC1250-11R **479 kN (48.8 t)**
PC1250-11R SP spec. **570 kN (58.1 t)**

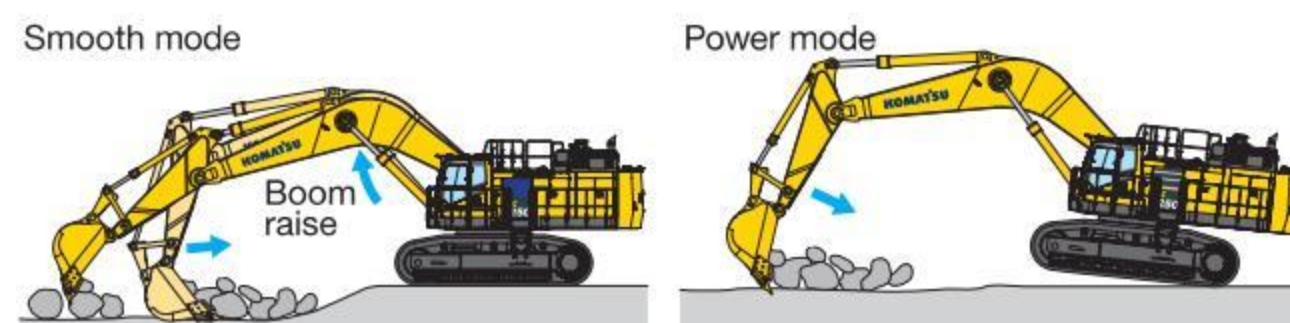
Shockless Boom Control

The PC1250-11R boom circuit features a shockless valve to automatically reduce the amount of shaking when operating the boom. Operator fatigue is reduced (which can improve safety and productivity), and spillage caused by shaking is minimized.



Two-mode Setting for Boom

Smooth mode provides easy operation for gathering blasted rock and scraping operations. When maximum digging force is needed, switch to Power mode for more effective excavating.



Pre-cleaner NEW

Dust is removed at the upstream of the air cleaner intake to prevent premature deterioration of the engine and reduce the cleaning frequency of the air cleaner element.



Large Capacity Fuel Pre-filter (with water separator) UPGRADE

Removes water and dust in the fuel and prevents fuel system troubles. The filtering capacity of water and dust has been increased compared to the conventional filter.



Coolant Filter NEW

Filters out contaminants in the coolant and prevents overheating and water pump troubles due to clogging of the engine cooling circuit.



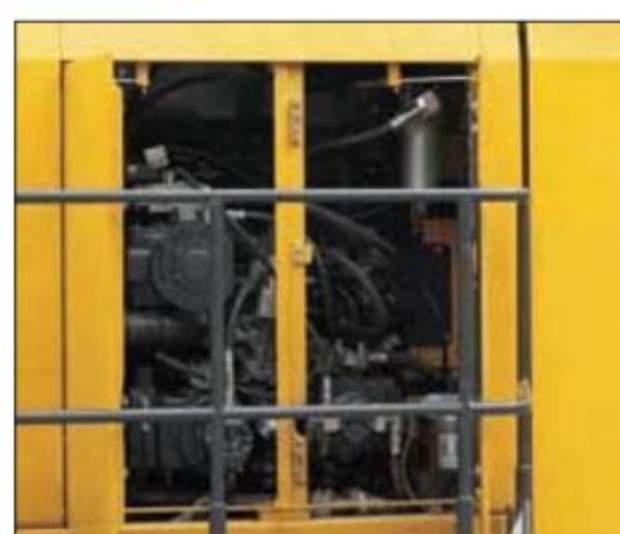
Return Oil Filter Clog Detection Function NEW

Recommends filter exchange and prevents catastrophic damage of hydraulic system by informing operator the clogging of hydraulic return filter. The signal can be monitored via the KOMTRAX Plus.



Bulkhead Wall (fire wall) UPGRADE

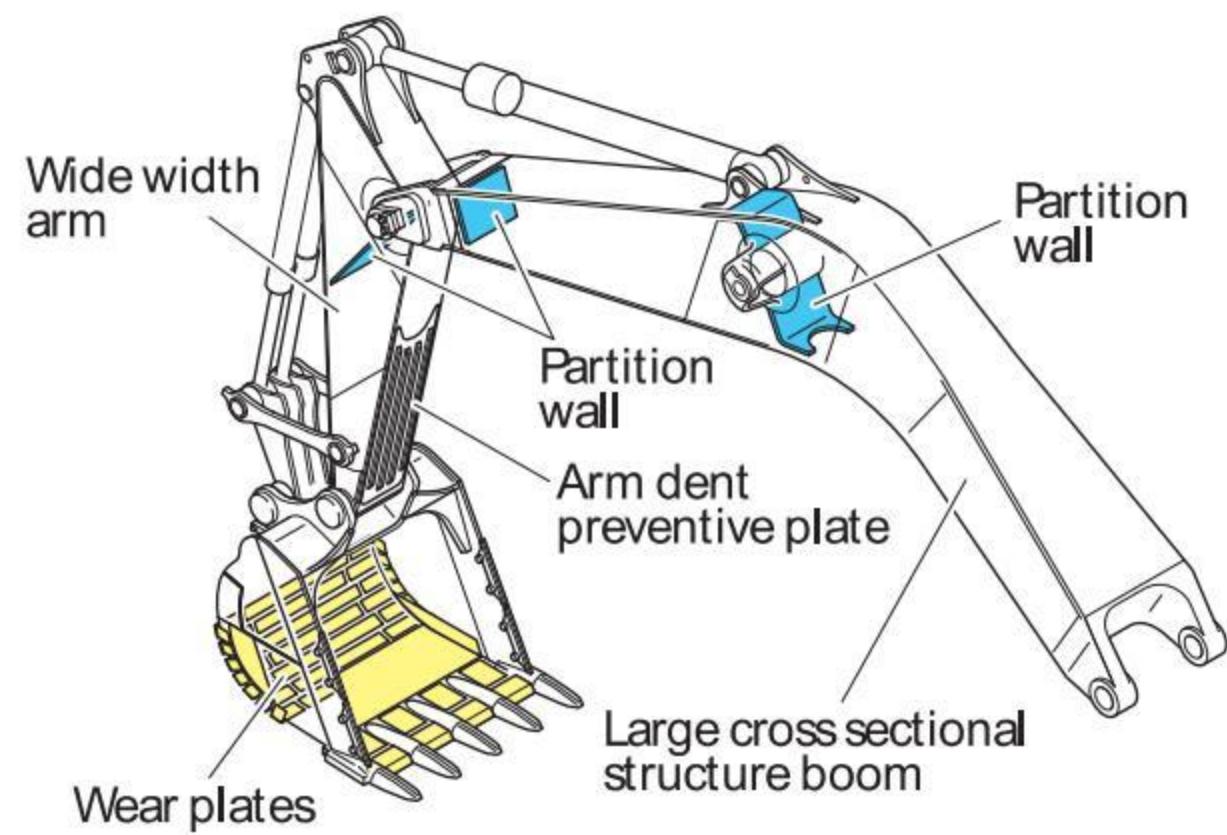
Prevents oil from splashing into the engine room in the event of hydraulic oil leak.



Bulkhead wall

Strengthened Boom and Arm

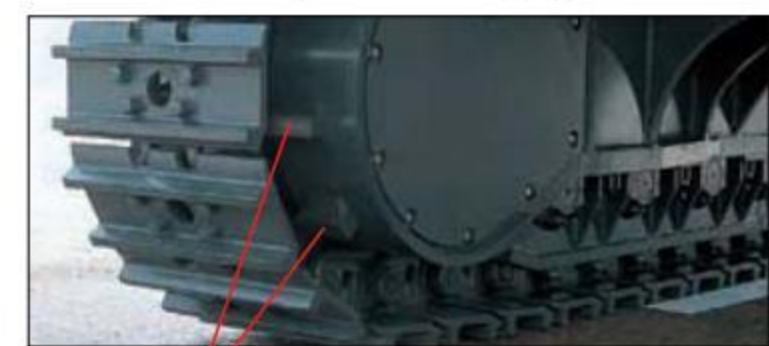
Thanks to the large cross-sectional structure employing a high tensile strength steel with a thick plate, partition wall, etc., the boom and arm exhibit excellent durability and are highly resistant to bending and torsional stress.



Sturdy Undercarriage

The undercarriage is strengthened to provide excellent reliability and durability when working on rocky ground or blasted rock.

Sturdy guards shield the travel motors and pipings against damage from rocks.



Rock protection

Track Roller Guard (full length)

Prevents entry of rocks in between the track roller and track shoe link that may cause premature wear or damage.



O-ring Face Seal

High-pressure In-line Filtration

Heat-resistant Wiring

Strengthened Revolving Frame Underguard

Sealed Connectors

55°C Specification

ECOLOGY & ECONOMY FEATURES

KOMATSU NEW ENGINE TECHNOLOGIES

Komatsu's New Emission Regulations-compliant Engine

Komatsu provides a powerful engine with latest electronic control technology and fuel saving features.



Electronic Control System

The electronic control system performs high-speed processing of all signals from sensors installed in the machine and engine to ensure total control of equipment in all conditions of use. Real time engine operating condition parameters are displayed via high speed centralized network on the monitor inside the cab, providing necessary information to the operator. Furthermore, managing the information via KOMTRAX Plus helps customers engage in appropriate maintenance.



Technologies Applied to New Engine

Low Fuel Consumption **UPGRADE**

Fuel consumption is reduced further due to machine total fine tuning and new SAA6D170E-7 Engine.

Power mode Fuel consumption

increased by **6%** vs. PC1250-8 P mode
2% vs. PC1250-8R P mode

Additional Economy and Ecology Features

Auto decel and auto idling function **NEW**

Equipped with an auto decel which can reduce fuel consumption and noise. Longer idle time activates the auto idling system reducing further the engine idling speed for more fuel savings.

Auto idle stop function **NEW**

When the engine has been idling for certain time, the engine stops automatically to reduce unnecessary fuel consumption and exhaust emissions. The duration before the engine shut-down can be easily programmed.



Auto idle stop

Hydraulic variable speed fan (Reversible)

By monitoring the coolant, hydraulic oil and ambient temperature, cooling fan rotation speed is automatically adjusted to use the least required energy for cooling. This reduces the load on the engine and further improve fuel savings.



PC1250-11R

COMFORTABLE FEATURES



Comfortable Working Space

Wide spacious cab **NEW**

The spacious cab with wide field of view offers comfortable working experience even at extended hours.

The ergonomic reclining high-back air suspension seat with a heater function has deep side support for excellent holdability and has easy to adjust height and front-rear inclination. Combined with the seat mounted console, the seat has a wide range of adjustment to obtain the optimum working position.

Low cab noise

The newly-designed cab is highly rigid and has excellent sound insulation ability.

Arm rest with simple height adjustment function **NEW**

The addition of a knob and a plunger to the armrest permits the height of the armrest to be easily adjusted without the use of tools.



Automatic air conditioner (A/C)

Pressurized cab

Auxiliary input jack **NEW**

Connecting wide range of audio source to the auxiliary jack allows the operator to hear the sound from the speaker installed in the cab.



Standard Equipment

Sliding window glass (left side)



Handling radio, ashtray



Cigarette lighter



Sun shield



Magazine box & cup holder



Remote intermittent wiper with windshield washer

Defroster (Conform to the ISO 10263-5)



SAFETY FEATURES



Hydraulically Operated Stairway (Optional) **NEW**

The new hydraulically operated 45° stairway enables the operator to access the machine safely. If the stairway is not retracted, the equipment is automatically stopped (Lock lever auto lock function).

Lock Lever Auto Lock Function **NEW**

If the work equipment lever is not in the neutral position when the hydraulic lock lever is released, the equipment is automatically stopped. The lock lever auto lock state is shown on the monitor screen.



Engine Emergency Shut Down Switch (Optional) **NEW**

Engine emergency shut down switches are provided at three points (in the operator's cab, on the right deck and left catwalk). They can be accessed easily in case of emergency.



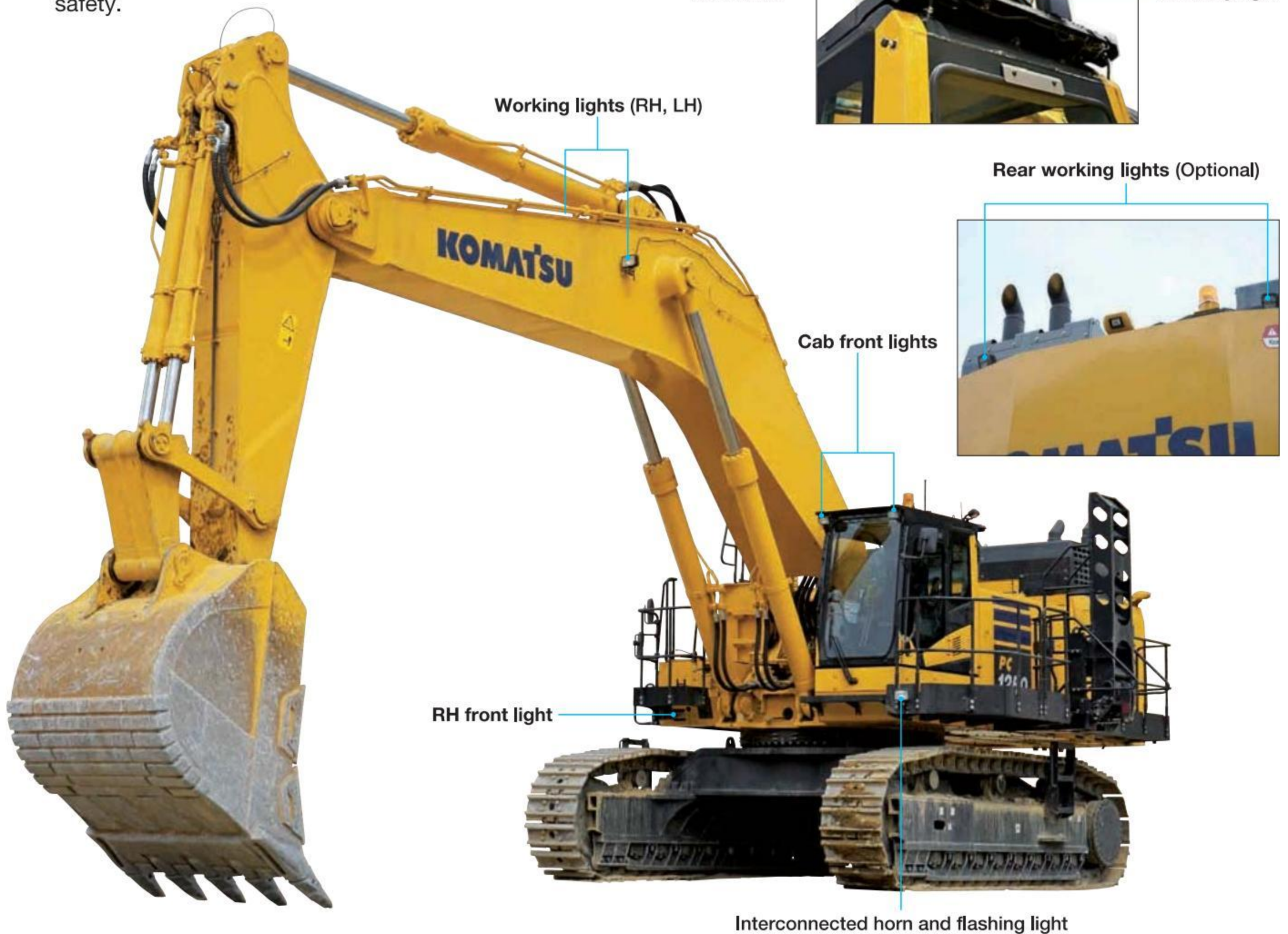
Operator's Cab

The machine is equipped with an operator's cab that conforms to OPG top guard level 2 (ISO 10262) for falling objects. The cab has high shock-absorption performance, featuring excellent durability and impact strength.



LED Light as Standard Equipment NEW

The bright and long life LED light is equipped as standard. Improves visibility in low-light environment ensuring work safety.



Fall Prevention Handrail (ISO 2867) UPGRADE

Easy and safe access all over the machine for inspection and maintenance.



Safety Equipment

Engine shutdown secondary switch at base of seat to shutdown the engine.



- Retractable seat belt
- Beacon (Optional)
- Rear working light (LED) (Optional)
- Emergency escape hammer
- Tempered & tinted glass
- Large side mirrors
- Slip-resistant plates

Seat belt caution indicator



- Lock lever
- Travel alarm
- Step light with timer
- Horn interconnected with warning light
- Bolt-on top guard, OPG level 2 (ISO 10262)
- Thermal and fan guards

LARGE HIGH RESOLUTION LIQUID CRYSTAL DISPLAY (LCD) MONITOR

Machine Monitor with Evolutionary Interface NEW

The interface has been redesigned to enable the necessary information to be read and understood more easily, rear and side view camera images have been added to the default main screen. The interface has a function that enables the main screen to be switched, thus enabling the optimum screen for the particular work situation to be displayed.



Indicators

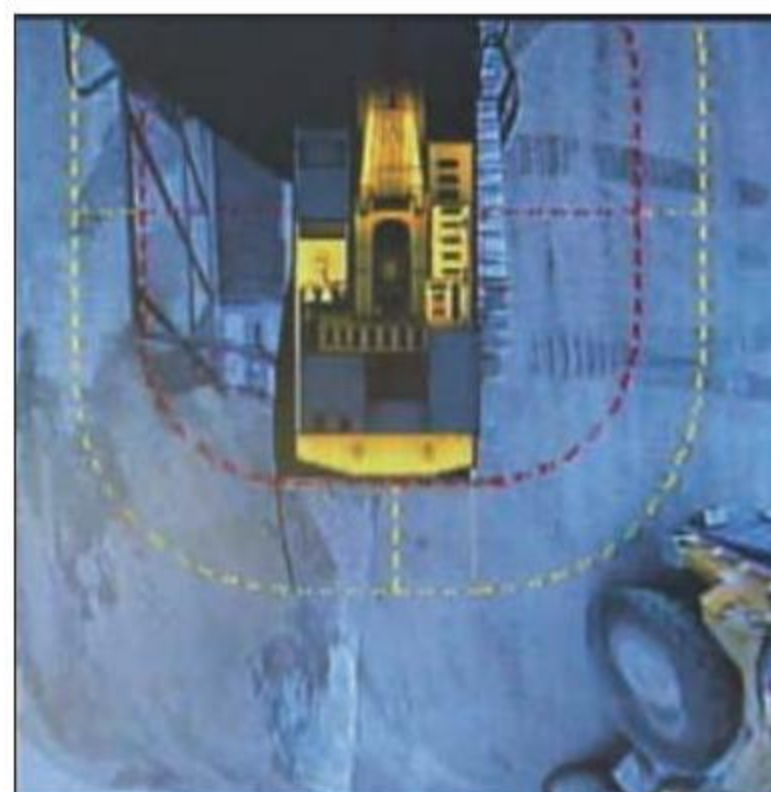
- | | |
|------------------------------------|-----------------------------|
| 1 Auto-decelerator | 8 Fuel gauge |
| 2 Working mode | 9 Service meter |
| 3 Travel speed | 10 Clock |
| 4 ECO gauge | 11 Fuel consumption gauge |
| 5 Camera display | 12 Guidance icon |
| 6 Engine coolant temperature gauge | 13 Function switches |
| 7 Hydraulic oil temperature gauge | 14 Camera direction display |

Basic operation switches

- | | |
|-------------------------|-----------------|
| 1 Auto-decelerator | 4 Buzzer cancel |
| 2 Working mode selector | 5 Wiper |
| 3 Travel speed selector | 6 Window washer |

KomVision NEW

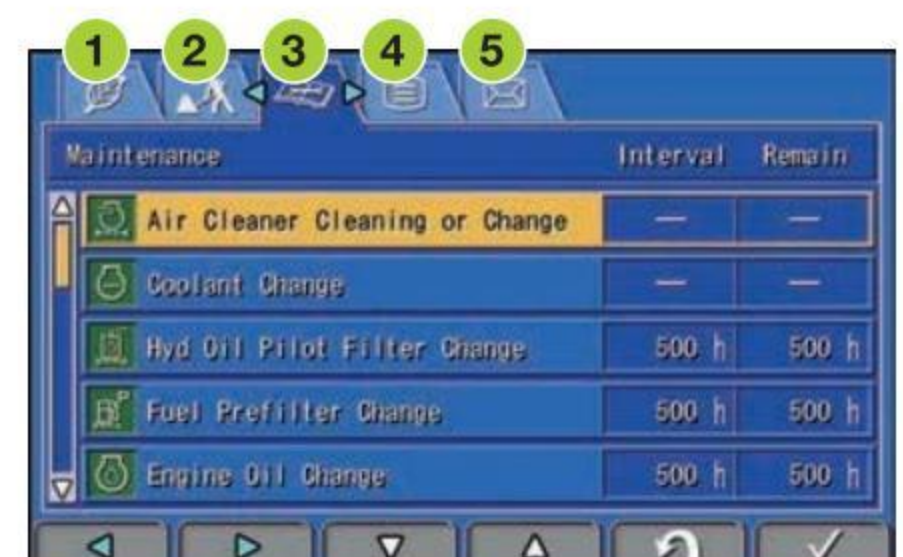
The surroundings of the machine can be displayed on the monitor by using 4 cameras installed at the sides and rear of the machine. Press the switch F4 to toggle between the right, left and rear side view of the machine.



KomVision monitor display

Visual User Menu NEW

Pressing the F6 key on the main screen displays the user menu screen. The menus are grouped for each function, and use easy-to-understand icons which enable the machine to be operated intuitively.



- | | |
|--------------------------|-------------------|
| 1 Energy saving guidance | 2 Machine setting |
| 3 Maintenance | 4 Monitor setting |
| 5 Mail check | |



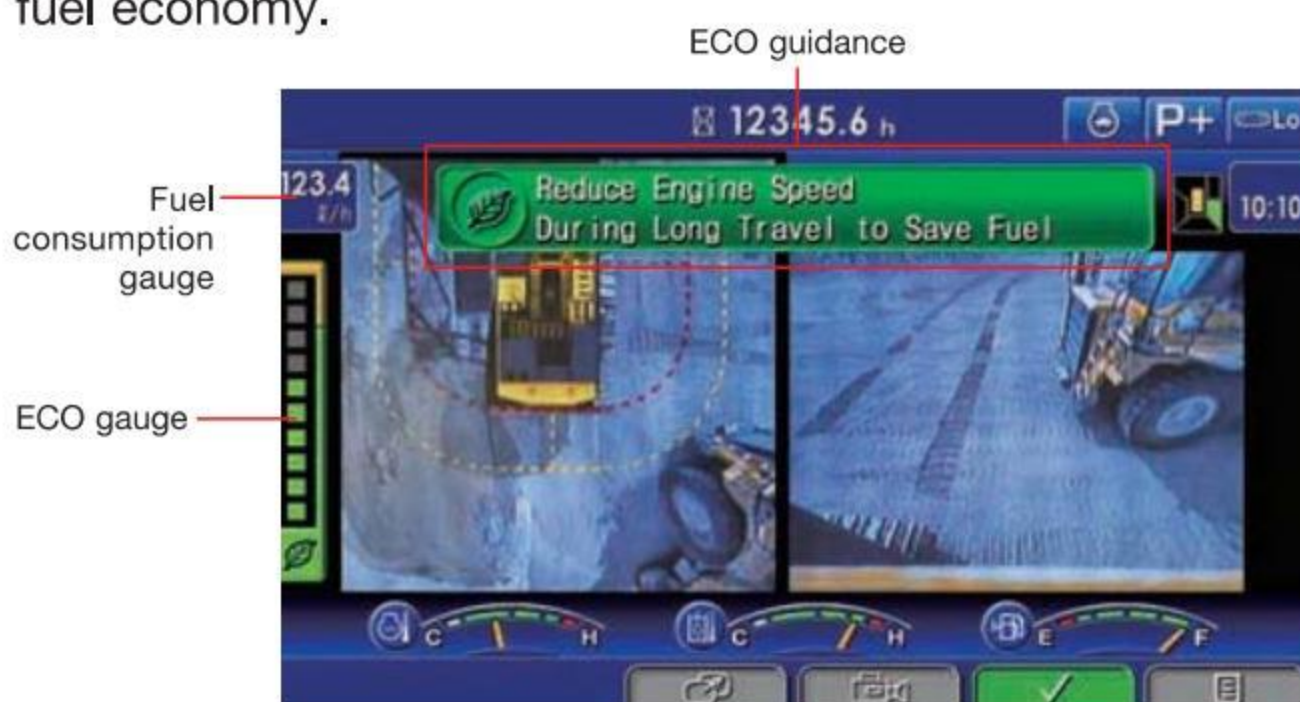
Support Efficiency Improvement

ECO guidance NEW

While machine is operating, ECO guidance operation tips pops up on the monitor guiding the operator to achieve better fuel efficiency.

ECO gauge & Fuel consumption gauge NEW

The monitor screen includes an ECO gauge and also a fuel consumption gauge which is continuously displayed. In addition, the operator can set any desired target value of fuel consumption (within the range of the green display), enabling the machine to be operated with better fuel economy.



Operation record, fuel consumption history, and ECO guidance record NEW

The ECO guidance menu enables the operator to check the operation record, fuel consumption history and ECO guidance record from the ECO guidance menu, using a single touch, thus enabling the total fuel consumption to be reduced.

Working Hours (Engine On)	0.0 h
Average Fuel Consumption	15.0 L/h
Actual Working Hours	0.0 h
Avg. Fuel Consumption (Actual Working)	15.0 L/h
Fuel Consumption	0 L
Idling Hours	0.0 h

Operation records



Average fuel consumption logs

Excessive Engine Idling Event	0
Hydraulic Relief Pressure Event	7
Economy Mode (Recommended)	0
Reduce Engine Speed (Recommended)	0

Operational Advice
Avoiding unnecessary hydraulic relief pressure is effective to save fuel.

ECO guidance records

KOMTRAX Plus

Monitors large machines' health and supports customers' machine management. UPGRADE

Support for Machine Management

KOMTRAX Plus is a management system for large machines. With this system, you can grasp "health condition" and "operating condition" of the machines from distant places via satellite communication, and accordingly you can prevent machine troubles and streamline the machine management.

Machine Management with KOMTRAX Plus

- **Maintenance management:** Manage maintenance schedule and failure prevention maintenance
- **Machine management:** Check lists of jobsites, service meter readings, etc.
- **Operation management:** Check operating condition of each machine
- **Check machine locations:** Check detailed machine sites on map
- **Support in energy saving operation:** Check fuel consumption and CO₂ emissions, and make energy saving operation support report
- **Make forms:** Download displayed data and use them as forms

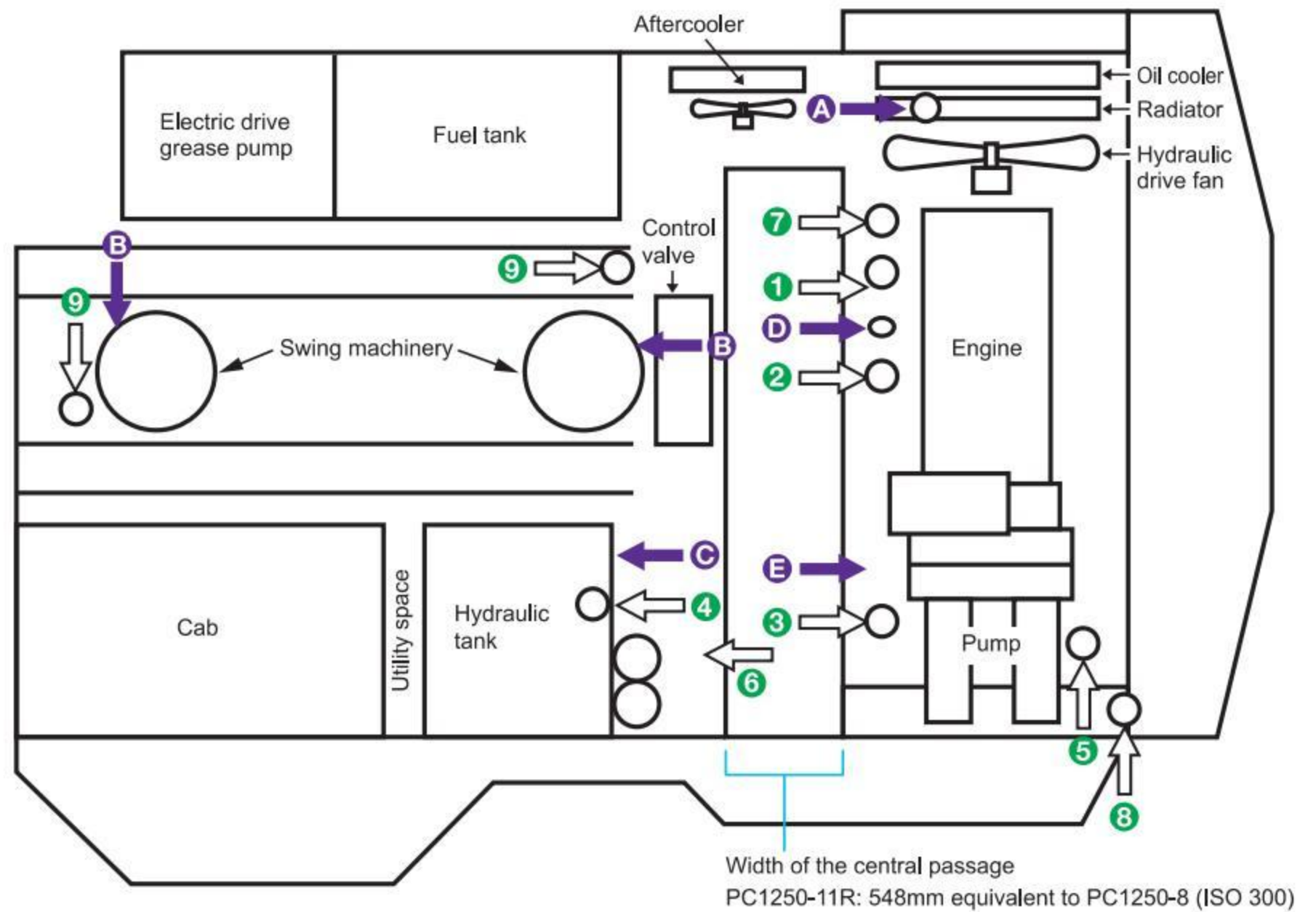
Energy Saving Operation Support Report

It is possible to provide energy saving operation support report and other information useful to customers on the basis of work information such as fuel consumption, idling time, etc.

MAINTENANCE FEATURES

A Wealth of Devices is Provided Throughout the Machine for Reducing Inspection and Maintenance Work and Also Machine Downtime.

Wide center walkway provides easy access to many inspection and maintenance points. In addition, inspection and maintenance points are grouped to facilitate easy engine and hydraulic component checks.



- | | | |
|-----------------------------------|---------------------------------|--------------------------------------|
| A Coolant | 1 Fuel filters | 6 Hydraulic return filters |
| B Swing machinery oil | 2 Fuel Pre filters | 7 KCCV filter |
| C Hydraulic oil | 3 Engine oil filters | 8 PTO strainer |
| D Engine oil | 4 Hydraulic drain filter | 9 Swing motor cooling filters |
| E Power Take Off (PTO) oil | 5 Pilot filter | |

Easy Checking and Maintenance

Easy Cleaning of Oil Cooler, A/C Condenser and Fuel Cooler **NEW**

Hinged A/C condenser and fuel cooler provide easy access to each core.



Easy Cleaning of Radiator

The hydraulically driven fan can be reversed to facilitate cleaning of the cooling unit. In addition, this feature contributes to reducing warm-up time in low temperatures.



Battery Disconnect Switch **NEW**

A battery disconnect switch is equipped as standard feature to allow technicians to cut power source and prevent engine cranking before servicing the machine.



Walkway Light (LED) **NEW**

Lighting to walkway provides easy and safety maintenance even at nighttime work.



Fan Belt Auto Tensioner **NEW**

The tension of the fan belt is adjusted automatically.



Washable Cab Floor Mat UPGRADE

Equipped with a floor mat with a brim that can be washed by water. Drain holes are placed in the floor to improve water drainage.



Fuel Quick Charge System (Optional) NEW

Refueling port on the right front deck can be accessed from the ground level.



Wide Catwalk, Large Step and Handrails UPGRADE

Equipped with wide catwalks and handrails so that operator and mechanic can safely move up and down the cab and perform inspections and maintenance.



Long-life Oil, Filter

Uses high-performance filtering materials and long-life oil. Extends the oil and filter replacement interval.

Engine oil & engine oil filter	every 500 hours
Fuel main filter	every 1000 hours
Hydraulic oil filter	every 1000 hours
Hydraulic oil	every 5000 hours

Auto Greasing System (Optional) UPGRADE

Automatically lubricates each greasing point. Adopting a refill system with a filter and increasing the capacity of the grease tank, the grease refill interval has been further extended.

- Greasing up around the bucket by grease gun.
- When refilling the grease tank, grease supply pump for refill is required.

- **Electric Priming Pump**
- **Dust Indicator with 5-step Indication**
- **Convenient Utility Space**

Maintenance Information

“Maintenance time caution lamp” display

When the remaining time to maintenance becomes less than 30 hours*, the maintenance time monitor appears. Pressing the F6 key switches the monitor to the maintenance screen.

* The setting can be changed within the range between 10 and 200 hours.



Maintenance screen

KOMATSU BRAND BUCKET

The recommended material density for each bucket is listed below. Using the bucket above the recommended material density may result to decreased machine durability.

◎ : General Work (Material density up to 1.8 t/m³) ○ : Light Duty Work (Material density up to 1.5 t/m³) × : Not Applicable — : Not Available

	Heavy Duty Bucket	SP Bucket	Large Size SP Bucket	Loading Shovel Bucke	
Bucket Shape					
Wear Plate Location					
Bucket Capacity ISO 7451	5.2	6.7	7.0	6.5	7.2
Lip Shape	Straight	Straight	Spade	Spade	Spade
Bucket Width with Shroud / Bucket Lip Width	2110/2310	2340/2530	2340/2530	2730/2800	2730/2800
Tooth Type	XS (Horizontal Pin: Hammerless)	XS (Horizontal Pin: Hammerless)	XS (Horizontal Pin: Hammerless)	XS (Horizontal Pin: Hammerless)	XS (Horizontal Pin: Hammerless)
Number of Teeth	5	6	6	6	6
Side Cutter	No	No	No	No	No
Side Shroud	Yes	Yes	Yes	Yes	Yes
Bakclash Adjustment	Yes	Yes	Yes	No	No
Backhoe					
9.1 m Boom 3.4 m Arm	◎	×	×	×	×
7.8 m SP Boom 3.4 m SP Arm	×	◎	◎	×	×
Loading Shovel (L/S)					
5.3 m L/S Boom 3.8 m L/S Arm	×	×	×	◎	○
Excavating condition and material	Heavy Duty	Heavy Duty	Heavy Duty	General-purpose	Light Duty

	Narrow Bucket	Narrow Bucket	General Purpose Bucket
Bucket Shape			
Wear Plate Location			
Bucket Capacity ISO 7451	3.4	4.0	5.0
Lip Shape	Straight	Straight	Straight
Bucket Width (with Side Cutter)	1670	1880	2220
Tooth Type	Horizontal Pin	Horizontal Pin	Horizontal Pin
Number of Teeth	4	4	5
Side Cutter	Yes (Optional)	Yes (Optional)	Yes (Optional)
Side Shroud	No	No	No
Bakclash Adjustment	Yes	Yes	Yes
Backhoe			
9.1 m Boom 5.7 m Long Arm	◎	○	×
9.1 m Boom 4.5 m Semi-long Arm	—	◎	○
9.1 m Boom 3.4 m Arm	×	×	◎
Excavating condition and material	General-purpose	General-purpose	General-purpose



XS TOOTH

- Unique bucket tooth shape for superior digging performance
- Long-term high sharpness
- Great penetration performance
- Hammerless, safe, and easy tooth replacement
(Tooth replacement time: Half of the conventional machine.)

Installation

- 1: Observing proper safety procedures, place tooth onto adapter (As shown).
- 2: Insert fastener, making sure it is in the unlocked position (As shown).
- 3: Using the correct size socket, rotate the pin locking shaft 90° clockwise (As shown) to finish the installation.

Removal

- 4: To remove fastener, use the correct size socket to rotate the pin locking shaft 90° counter-clockwise (As shown). Remove fastener and tooth.
Repeat steps 1-3 for a new installation.



KOMATSU TOTAL SUPPORT



Komatsu Total Support

To keep your machine available and minimize operation cost when you need it, Komatsu Distributor is ready to provide a variety of supports before and after procuring the machine.

Fleet recommendation

Komatsu Distributor can study the customer's job site and provide the most optimum fleet recommendation with detailed information to meet all of your application needs when you are considering to buy new machines or replace the existing ones from Komatsu.



Product support

Komatsu Distributor gives the proactive support and secures the quality of the machine that will be delivered.

Parts availability

Komatsu Distributor is available for emergency inquiry by the customers for genuine, quality guaranteed Komatsu parts.

Technical support

Komatsu product support service (Technical support) is designed to help customer. Komatsu Distributor offers a variety of effective services to show how much Komatsu is dedicated to the maintenance and support of Komatsu machine.

- Preventive Maintenance (PM) clinic
- Oil & Wear analysis program
- Undercarriage inspection service, etc.



Repair & maintenance service

Komatsu Distributor offers quality repair and maintenance service to the customer, utilizing and promoting Komatsu developed programs.

Komatsu Reman (Remanufactured) components

Komatsu Reman products are the result of the implementation of the Komatsu global policy which establishes and agrees to reduce the owning, operating and total Life Cycle Costs (LCC) to Komatsu's customer through high quality, prompt delivery and competitively priced in own remanufactured products (QDC).



SPECIFICATIONS



ENGINE

ModelKomatsu SAA6D170E-7
 Type.....4-cycle, water-cooled, direct injection
 AspirationTurbocharged, aftercooled
 Number of cylinders 6
 Bore.....170 mm
 Stroke170 mm
 Piston displacement 23.15 L
 GovernorAll-speed, electronic
 Horsepower:
 SAE J1995 Gross 578 kW 775 HP
 ISO 9249 / SAE J1349* Net 560 kW 750 HP
 Rated rpm.1800 min⁻¹
 Fan drive type.....Hydraulic

*Net horsepower at the maximum speed of radiator cooling fan is 493 kW 661 HP.
 U.S. EPA Tier 2 emission equivalent.



HYDRAULIC SYSTEM

Type..... Open-center load-sensing system
 Number of selectable working modes..... 3
 Main pump:
 TypeVariable-capacity piston pumps
 Pumps for.....Boom, arm, bucket, swing, and travel circuits
 Maximum flow:
 For implement and travel..... 2 x 494 L/min
 For swing 1 x 600 L/min
 Sub-pump for control circuit..... Gear pump
 Hydraulic motors:
 Travel 2 x axial piston motors with parking brake
 Swing 2 x axial piston motors with swing holding brake
 Relief valve setting:
 Implement circuits
 Backhoe 31.4 MPa 320 kgf/cm²
 Loading shovel..... 31.4 MPa 320 kgf/cm²
 Travel circuit..... 34.3 MPa 350 kgf/cm²
 Swing circuit..... 27.5 MPa 280 kgf/cm²
 Pilot circuit 3.1 MPa 32 kgf/cm²
 Hydraulic cylinders:
 (Number of cylinders-bore x stroke)
 Backhoe
 Boom 2 – 225 mm x 2390 mm
 Arm 1 – 250 mm x 2435 mm
 Bucket
 Std 2 – 160 mm x 1825 mm
 SP 2 – 160 mm x 1950 mm



DRIVES AND BRAKES

Steering control.....Two levers with pedals
 Drive method..... Fully hydrostatic
 Travel motorAxial piston motor, in-shoe design
 Reduction system Planetary triple reduction
 Maximum drawbar pull.....686 kN 70000 kgf
 Gradeability..... 70%
 Maximum travel speed:
 High 3.3 km/h
 Low..... 2.3 km/h
 Service brakeHydraulic lock
 Parking brake Oil disc brake



SWING SYSTEM

Drive method.....2 x Hydraulic motors
 Swing reductionPlanetary gear
 Swing circle lubrication..... Grease-bathed
 Swing lock..... Oil disc brake
 Swing speed 5.8 min⁻¹



UNDERCARRIAGE

Center frame H-leg frame
 Track frameBox-section
 Seal of track Sealed
 Track adjuster Hydraulic
 No. of shoes (Each side)..... 48
 No. of carrier rollers (Each side) 3
 No. of track rollers (Each side) 8



COOLANT AND LUBRICANT CAPACITY (REFILL)

Fuel tank 1360 L
 Radiator..... 134 L
 Engine 86 L
 Final drive (Each side)..... 21 L
 Swing drive 20 x 2 L
 Hydraulic tank 670 L
 Power Take Off (PTO)..... 13.5 L



OPERATING WEIGHT (APPROXIMATE)

BACKHOE
 PC1250-11R: Operating weight, including 9100 mm boom, 3400 mm arm, ISO 7451 heaped 5.0 m³ backhoe bucket, operator, lubricant, coolant, full fuel tank, and the standard equipment.

PC1250-11R SP: Operating weight, including 7800 mm boom, 3400 mm arm, ISO 7451 heaped 6.7 m³ backhoe bucket, full length roller guard, operator, lubricant, coolant, full fuel tank, and the standard equipment.

Shoes	PC1250-11R		PC1250-11R SP	
	Operating Weight	Ground Pressure	Operating Weight	Ground Pressure
Double Grouser 700 mm	116400 kg	148 kPa 1.51 kgf/cm ²	118600 kg	151 kPa 1.54 kgf/cm ²

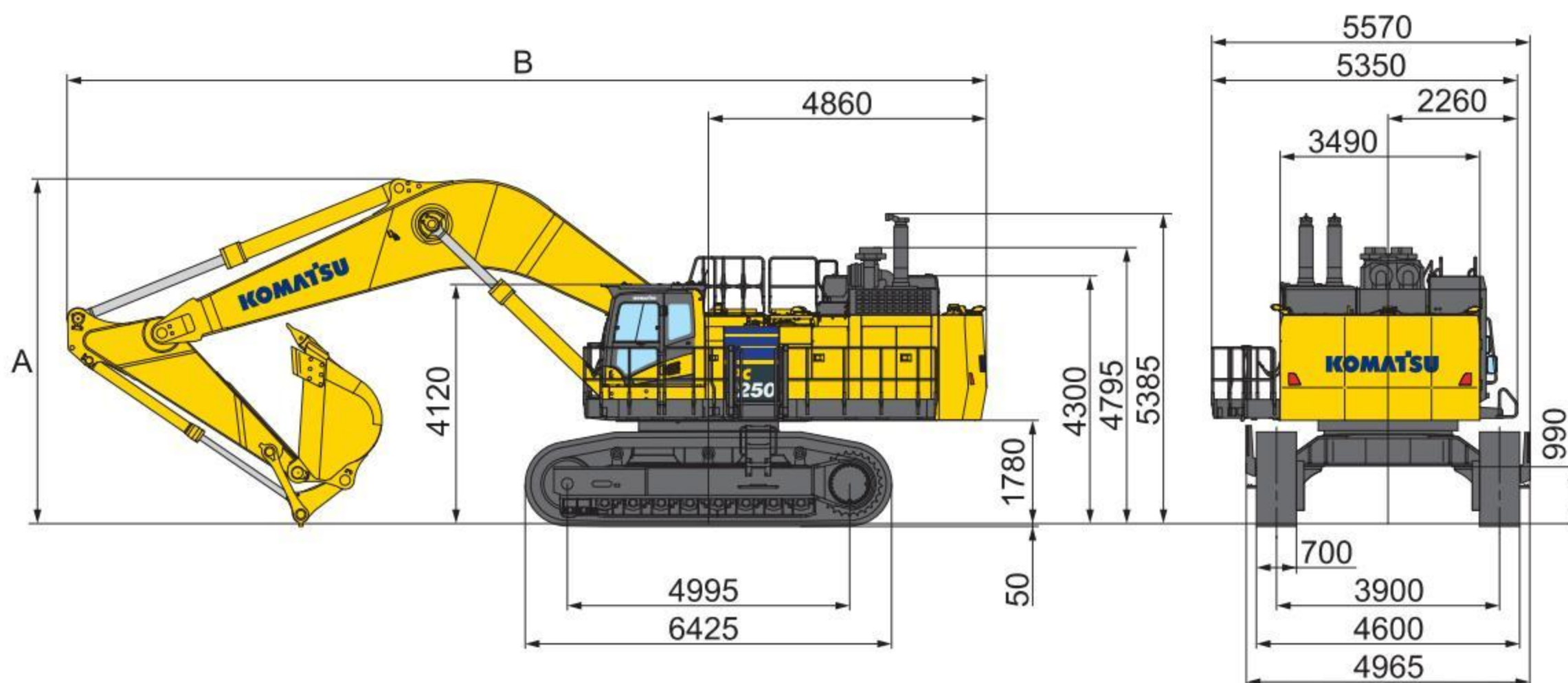
LOADING SHOVEL
 Operating weight, including 5300 mm boom, 3800 mm arm, ISO 7451 heaped 6.50 m³ bucket, operator, lubricant, coolant, full fuel tank, and the standard equipment.

Shoes	PC1250-11R	
	Operating Weight	Ground Pressure
Double Grouser 700 mm	119700 kg	152.5 kPa 1.56 kgf/cm ²



BACKHOE DIMENSIONS

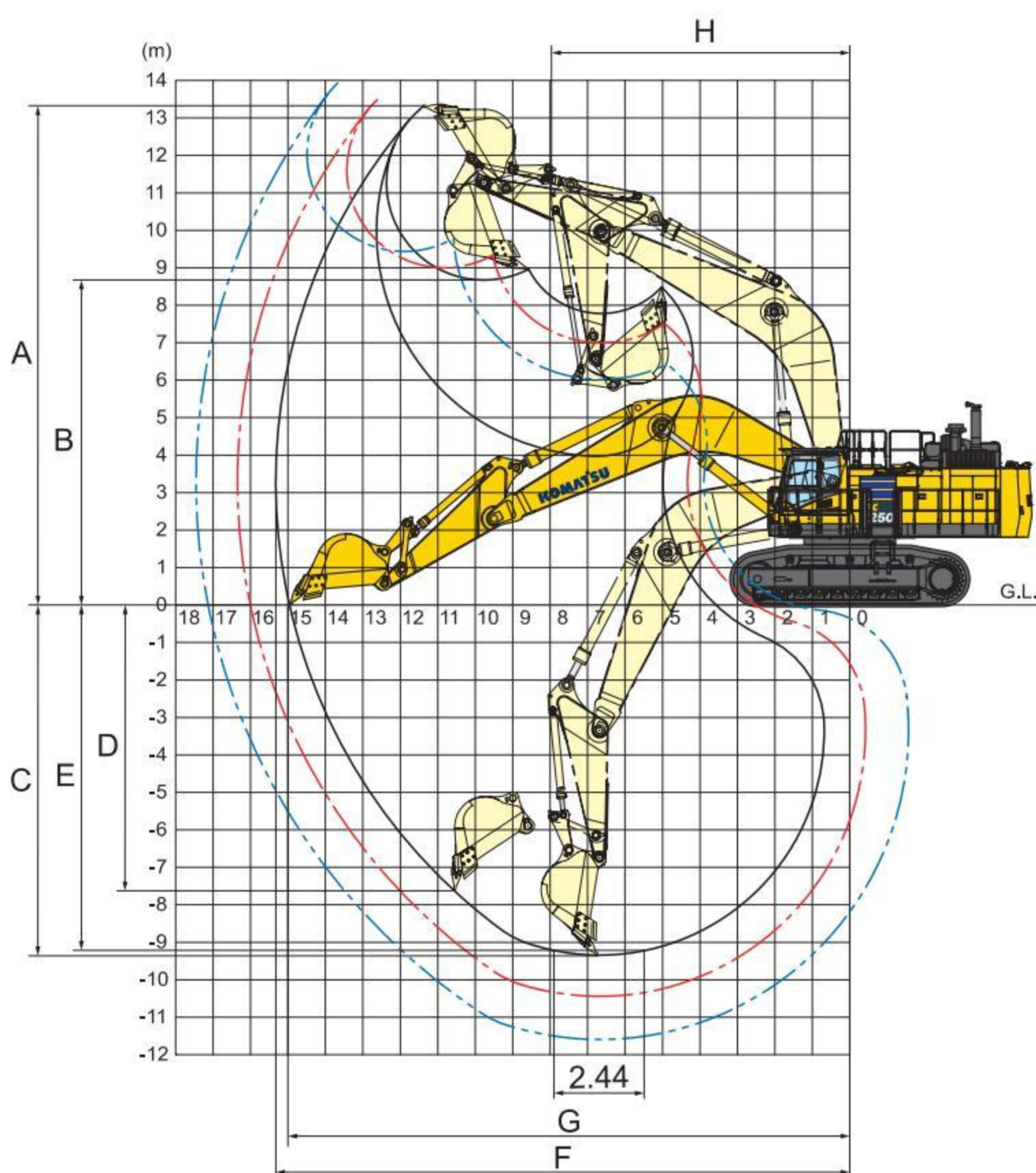
Unit: mm



Model	PC1250-11R		
Boom Length	9100 mm		
Arm Length	3400 mm	4500 mm	5700 mm
A Overall Height	6040 mm	6460 mm	6990 mm
B Overall Length	16070 mm	16100 mm	15890 mm



BACKHOE WORKING RANGE

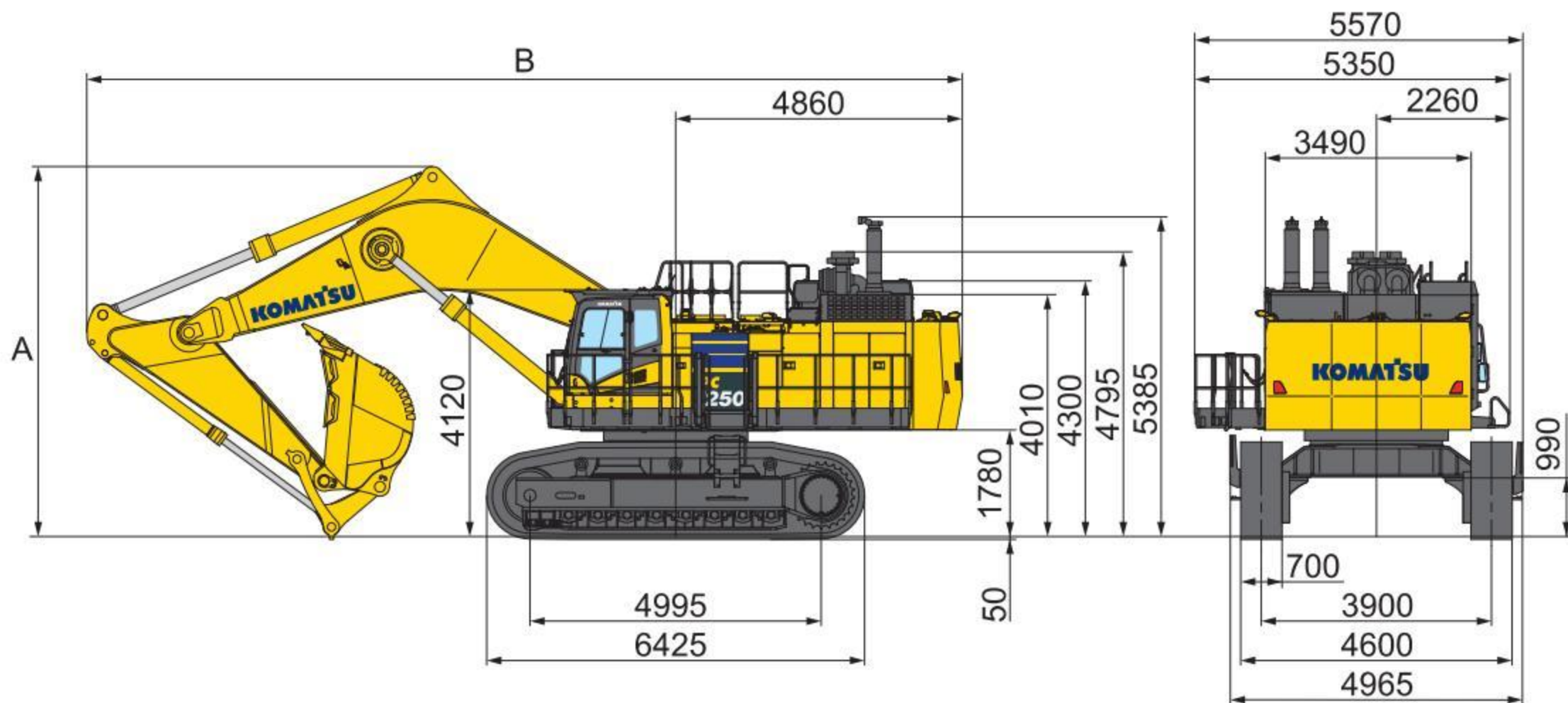


Model	PC1250-11R		
Boom Length	9100 mm		
Arm Length	3400 mm	4500 mm	5700 mm
A Max. digging height	13400 mm	13490 mm	13910 mm
B Max. dumping height	8680 mm	9000 mm	9440 mm
C Max. digging depth	9350 mm	10440 mm	11590 mm
D Max. vertical wall digging depth	7610 mm	8490 mm	9480 mm
E Max. digging depth of cut for 8' level	9220 mm	10340 mm	11500 mm
F Max. digging reach	15350 mm	16340 mm	17450 mm
G Max. digging reach at ground level	15000 mm	16000 mm	17130 mm
H Min. swing radius	7965 mm	7990 mm	8150 mm
SAE J 1179 Rating	Bucket digging force	422 kN 43000 kg	422 kN 43000 kg
	Arm crowd force	392 kN 40000 kg	327 kN 33300 kg
ISO 6015 Rating	Bucket digging force	479 kN 48800 kg	479 kN 48800 kg
	Arm crowd force	412 kN 42000 kg	337 kN 34400 kg
		281 kN 28700 kg	389 kN 39700 kg
		286 kN 29200 kg	



BACKHOE SP SPECIFICATION DIMENSIONS

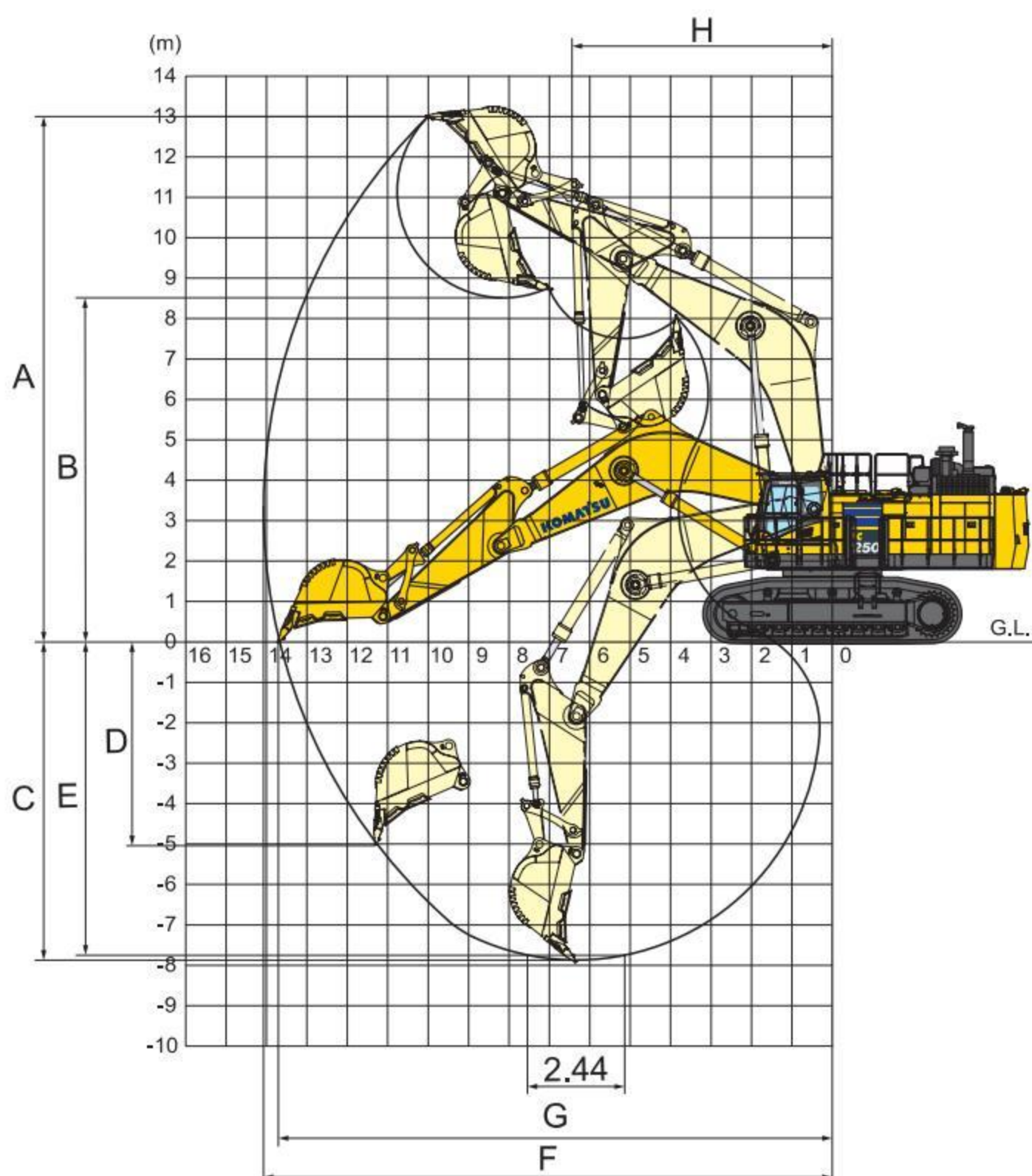
Unit: mm



Model		PC1250-11R SP
Boom Length		7800 mm
Arm Length		3400 mm
A	Overall height	6265 mm
B	Overall length	14790 mm



BACKHOE SP SPECIFICATION DIMENSIONS WORKING RANGE

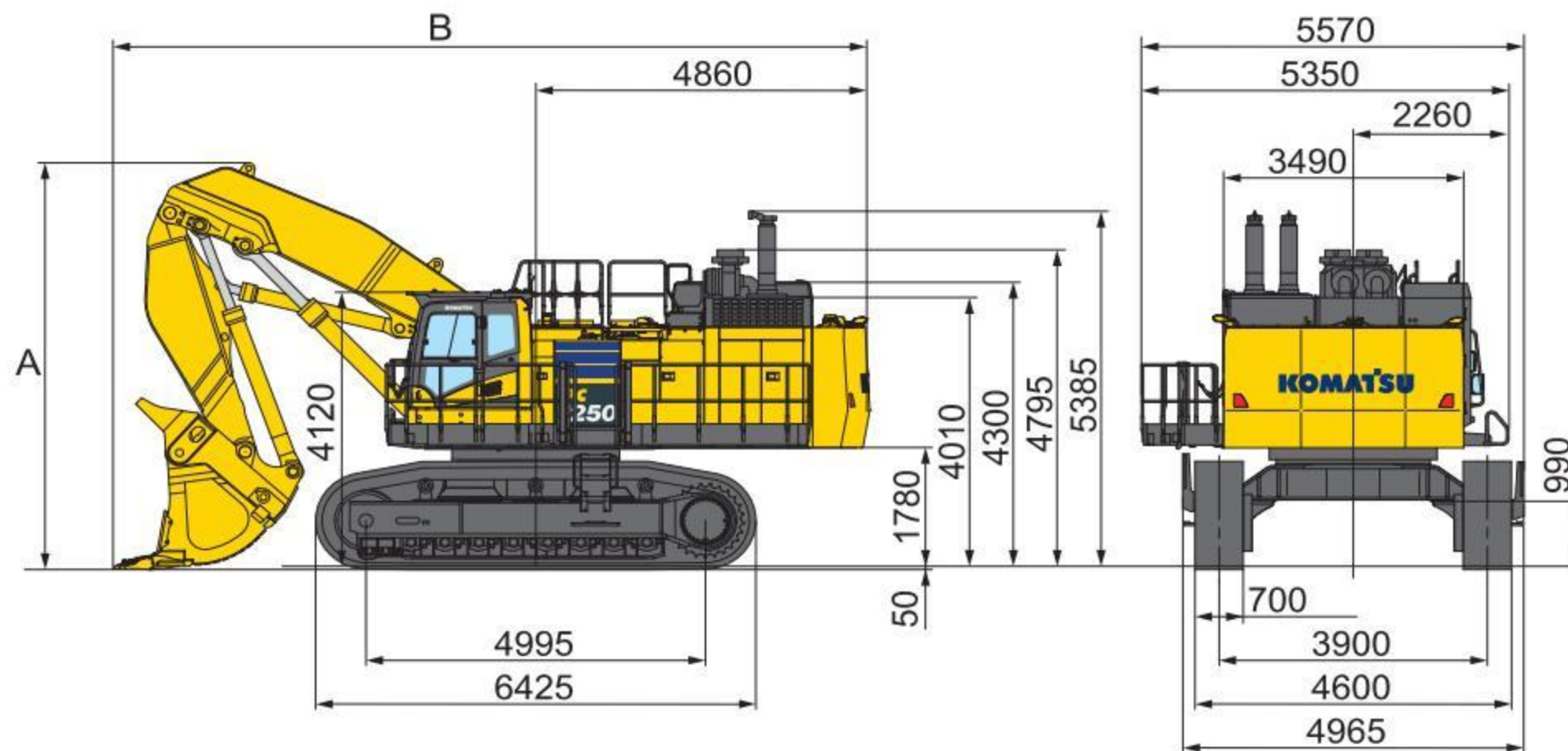


Model		PC1250-11R SP
Boom Length		7800 mm
Arm Length		3400 mm
A	Max. digging height	13000 mm
B	Max. dumping height	8450 mm
C	Max. digging depth	7900 mm
D	Max. vertical wall digging depth	5025 mm
E	Max. digging depth of cut for 2440 mm level	7745 mm
F	Max. digging reach	14070 mm
G	Max. digging reach at ground level	13670 mm
H	Min. swing radius	6415 mm
SAE J 1179 Rating	Bucket digging force	502 kN 51200 kgf
	Arm crowd force	395 kN 40300 kgf
ISO 6015 Rating	Bucket digging force	570 kN 58100 kgf
	Arm crowd force	412 kN 42000 kgf



LOADING SHOVEL DIMENSIONS

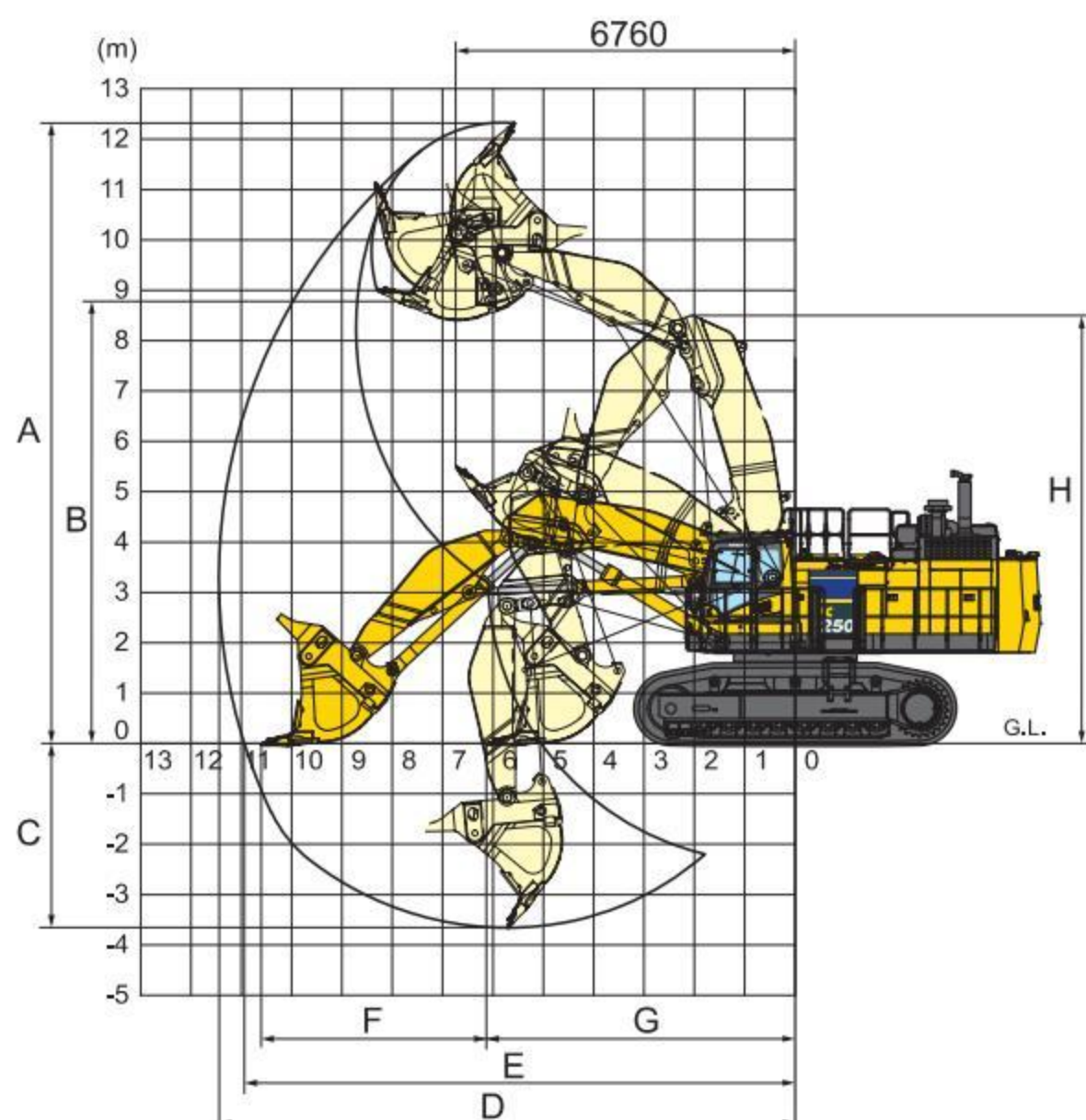
Unit: mm



Type of Bucket		Bottom Dump
Capacity-heaped		6.50 m ³
A	Overall height	6200 mm
B	Overall length	10990 mm



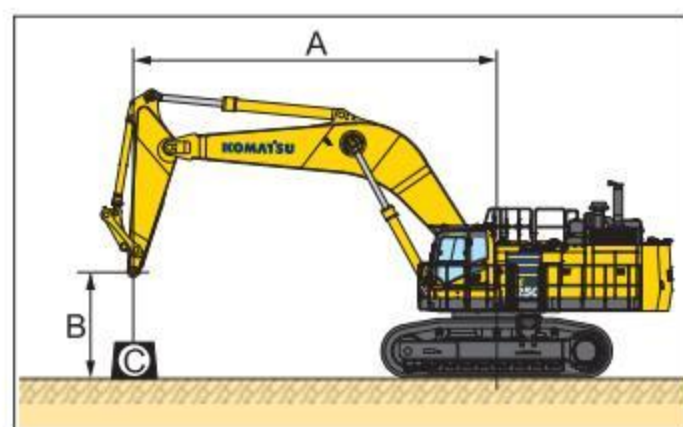
LOADING SHOVEL WORKING RANGE



Type of Bucket		Bottom Dump
Capacity-heaped		6.50 m ³
A	Max. cutting height	12330 mm
B	Max. dumping height	8700 mm
C	Max. digging depth	3650 mm
D	Max. digging reach	11400 mm
E	Max. digging reach at ground level	10900 mm
F	Level crowding distance	4480 mm
G	Min. crowd distance	6130 mm
H	Max. height of minimum swing radius	8500 mm
Bucket digging force		579 kN 59000 kgf
Arm crowd force		608 kN 62000 kgf



LIFTING CAPACITY WITH LIFTING MODE



PC1250-11R

Equipment:

- Boom: 9.1 m
- Arm: 3.4 m
- Without bucket
- Track shoe width: 700 mm

- A: Reach from swing center
- B: Arm top pin height
- C: Lifting capacity
- Cf: Rating over front
- Cs: Rating over side
- ⊗: Rating at maximum reach

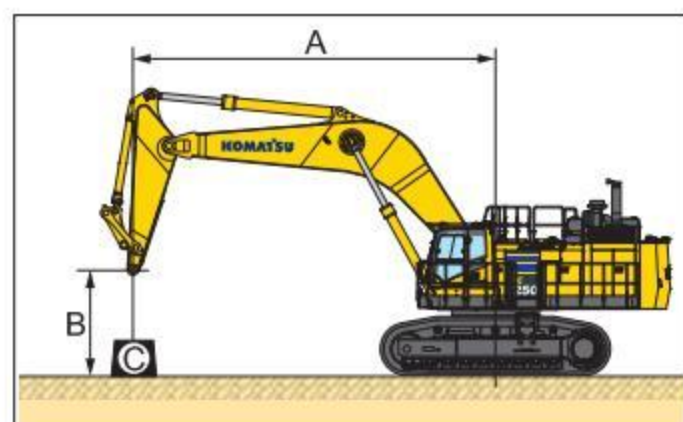
HEAVY LIFT "ON"

B \ A	⊗ MAX		12.2 m		10.7 m		9.1 m		7.6 m		6.1 m		4.6 m	
	Cf	Cs	Cf	Cs	Cf	Cs	Cf	Cs	Cf	Cs	Cf	Cs	Cf	Cs
9.1 m	*21050 kg	20050 kg			*21400 kg	*21400 kg								
6.1 m	20150 kg	16300 kg	20750 kg	16850 kg	*23150 kg	21100 kg	*25900 kg	*25900 kg	*30700 kg	*30700 kg				
3.0 m	18650 kg	15000 kg	19950 kg	16050 kg	24400 kg	19650 kg	*30350 kg	24500 kg	*37750 kg	31550 kg				
0.0 m	19250 kg	15400 kg	19450 kg	15550 kg	23450 kg	18700 kg	29250 kg	23150 kg	38350 kg	30000 kg				
-3.0 m	22750 kg	18200 kg			23500 kg	18750 kg	29150 kg	23100 kg	*38000 kg	30100 kg	*46650 kg	42850 kg	*39600 kg	*39600 kg
-6.1 m	*23900 kg	*23900 kg							*28050 kg	*28050 kg	*35000 kg	*35000 kg		

HEAVY LIFT "OFF"

B \ A	⊗ MAX		12.2 m		10.7 m		9.1 m		7.6 m		6.1 m		4.6 m	
	Cf	Cs	Cf	Cs	Cf	Cs	Cf	Cs	Cf	Cs	Cf	Cs	Cf	Cs
9.1 m	*19050 kg	*19050 kg			*18900 kg	*18900 kg								
6.1 m	*18600 kg	16300 kg	*19150 kg	16850 kg	*20400 kg	*20400 kg	*22900 kg	*22900 kg	*27200 kg	*27200 kg				
3.0 m	18650 kg	15000 kg	19950 kg	16050 kg	*22800 kg	19650 kg	*26750 kg	24500 kg	*33350 kg	31550 kg				
0.0 m	19250 kg	15400 kg	19450 kg	15550 kg	23450 kg	18700 kg	*28800 kg	23150 kg	*35500 kg	30000 kg				
-3.0 m	*21450 kg	18200 kg			*22600 kg	18750 kg	*27550 kg	23100 kg	*33500 kg	30100 kg	*41100 kg	*41100 kg	*36000 kg	*36000 kg
-6.1 m	*20800 kg	*20800 kg							*24500 kg	*24500 kg	*30650 kg	*30650 kg		

* Load is limited by hydraulic capacity rather than tipping. Ratings are based on ISO standard No. 10567. Rated loads do not exceed 87% of hydraulic lift capacity or 75% of tipping load.



PC1250-11R

Equipment:

- Boom: 9.1 m
- Arm: 4.5 m
- Without bucket
- Track shoe width: 700 mm

- A: Reach from swing center
- B: Arm top pin height
- C: Lifting capacity
- Cf: Rating over front
- Cs: Rating over side
- ⊗: Rating at maximum reach

HEAVY LIFT "ON"

B \ A	⊗ MAX		12.2 m		10.7 m		9.1 m		7.6 m		6.1 m		4.6 m	
	Cf	Cs	Cf	Cs	Cf	Cs	Cf	Cs	Cf	Cs	Cf	Cs	Cf	Cs
9.1 m	*14400 kg	*14400 kg	*17050 kg	*17050 kg										
6.1 m	*14150 kg	*14150 kg	*19800 kg	17200 kg	*21200 kg	*21200 kg	*23500 kg	*23500 kg						
3.0 m	*14850 kg	13250 kg	20000 kg	16100 kg	*24350 kg	19750 kg	*28400 kg	24800 kg	*35050 kg	32150 kg				
0.0 m	*16750 kg	13450 kg	19150 kg	15300 kg	23250 kg	18500 kg	29050 kg	22950 kg	38050 kg	29700 kg	*30900 kg	*30900 kg		
-3.0 m	19250 kg	15350 kg			22850 kg	18100 kg	28500 kg	22450 kg	37550 kg	29250 kg	*48900 kg	41450 kg	*34850 kg	*34850 kg
-6.1 m	*22950 kg	21250 kg					*26350 kg	23400 kg	*32900 kg	30300 kg	*40600 kg	*40600 kg	*51100 kg	*51100 kg

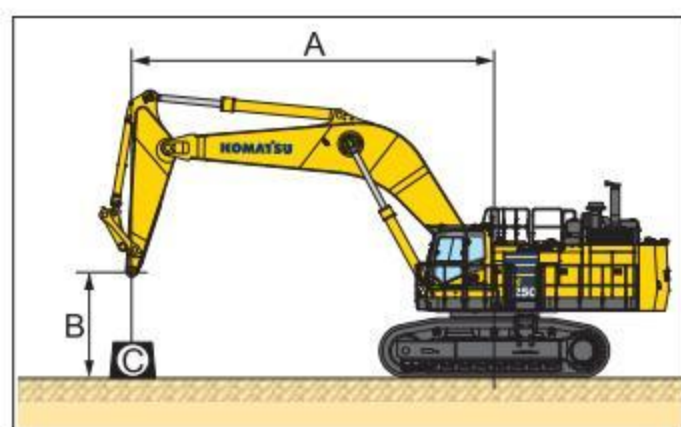
HEAVY LIFT "OFF"

B \ A	⊗ MAX		12.2 m		10.7 m		9.1 m		7.6 m		6.1 m		4.6 m	
	Cf	Cs	Cf	Cs	Cf	Cs	Cf	Cs	Cf	Cs	Cf	Cs	Cf	Cs
9.1 m	*12950 kg	*12950 kg	*15350 kg	*15350 kg										
6.1 m	*12700 kg	*12700 kg	*17400 kg	17200 kg	*18650 kg	*18650 kg	*20750 kg	*20750 kg						
3.0 m	*13350 kg	13250 kg	*19100 kg	16100 kg	*21400 kg	19750 kg	*25000 kg	24800 kg	*30900 kg	*30900 kg				
0.0 m	*15050 kg	13450 kg	19150 kg	15300 kg	23250 kg	18500 kg	*27900 kg	22950 kg	*34600 kg	29700 kg	*28100 kg	*28100 kg		
-3.0 m	*18800 kg	15350 kg			22850 kg	18100 kg	*28050 kg	22450 kg	*34250 kg	29250 kg	*43100 kg	41450 kg	*31700 kg	*31700 kg
-6.1 m	*20000 kg	*20000 kg					*23050 kg	*23050 kg	*28800 kg	*28800 kg	*35650 kg	*35650 kg	*44800 kg	*44800 kg

* Load is limited by hydraulic capacity rather than tipping. Ratings are based on ISO standard No. 10567. Rated loads do not exceed 87% of hydraulic lift capacity or 75% of tipping load.



LIFTING CAPACITY WITH LIFTING MODE



PC1250-11R

- Equipment:
- Boom: 9.1 m
 - Arm: 5.7 m
 - Without bucket
 - Track shoe width: 700 mm

- A: Reach from swing center
- B: Arm top pin height
- C: Lifting capacity
- Cf: Rating over front
- Cs: Rating over side
- ⊗: Rating at maximum reach

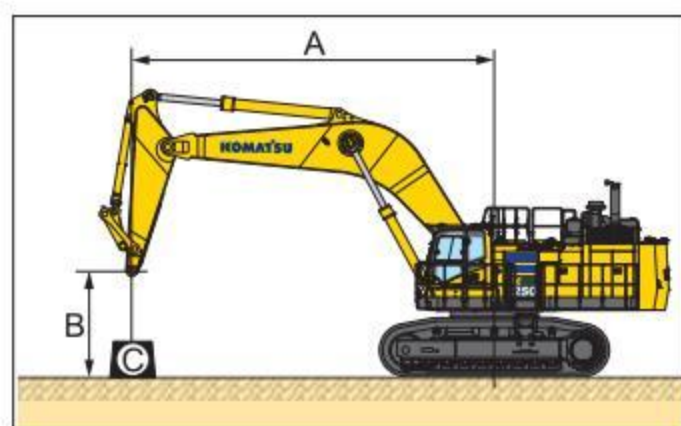
HEAVY LIFT "ON"

B \ A	⊗ MAX		13.7 m		12.2 m		10.7 m		9.1 m		7.6 m		6.1 m	
	Cf	Cs	Cf	Cs	Cf	Cs	Cf	Cs	Cf	Cs	Cf	Cs	Cf	Cs
9.1 m	*10200 kg	*10200 kg												
6.1 m	*10050 kg	*10050 kg	*16850 kg	14100 kg	*17700 kg	17500 kg								
3.0 m	*10500 kg	*10500 kg	16600 kg	13300 kg	*20050 kg	16200 kg	*22400 kg	20000 kg	*25950 kg	25250 kg	*31650 kg	*31650 kg		
0.0 m	*11700 kg	11600 kg	15900 kg	12600 kg	18950 kg	15100 kg	23150 kg	18350 kg	29000 kg	22950 kg	*37400 kg	29750 kg	*33850 kg	*33850 kg
-3.0 m	*14150 kg	12900 kg			18450 kg	14600 kg	22350 kg	17600 kg	27950 kg	21900 kg	36900 kg	28600 kg	*48700 kg	40400 kg
-6.1 m	*19900 kg	16700 kg					22750 kg	18000 kg	28300 kg	22250 kg	*35500 kg	29050 kg	*44400 kg	41400 kg

HEAVY LIFT "OFF"

B \ A	⊗ MAX		13.7 m		12.2 m		10.7 m		9.1 m		7.6 m		6.1 m	
	Cf	Cs	Cf	Cs	Cf	Cs	Cf	Cs	Cf	Cs	Cf	Cs	Cf	Cs
9.1 m	*9100 kg	*9100 kg												
6.1 m	*8950 kg	*8950 kg	*14900 kg	14100 kg	*15500 kg	*15500 kg								
3.0 m	*9350 kg	*9350 kg	*16150 kg	13300 kg	*17550 kg	16200 kg	*19600 kg	*19600 kg	*22800 kg	*22800 kg	*27900 kg	*27900 kg		
0.0 m	*10400 kg	*10400 kg	15900 kg	12600 kg	18950 kg	15100 kg	*22200 kg	18350 kg	*26450 kg	22950 kg	*32900 kg	29750 kg	*30750 kg	*30750 kg
-3.0 m	*12650 kg	*12650 kg			18450 kg	14600 kg	22350 kg	17600 kg	*27700 kg	21900 kg	*34150 kg	28600 kg	*43750 kg	40400 kg
-6.1 m	*17900 kg	16700 kg					*20550 kg	18000 kg	*25300 kg	22250 kg	*31100 kg	29050 kg	*38950 kg	*38950 kg

* Load is limited by hydraulic capacity rather than tipping. Ratings are based on ISO standard No. 10567. Rated loads do not exceed 87% of hydraulic lift capacity or 75% of tipping load.



PC1250-11R SP specification

- Equipment:
- Boom: 7.8 m
 - Arm: 3.4 m
 - Without bucket
 - Track shoe width: 700 mm

- A: Reach from swing center
- B: Arm top pin height
- C: Lifting capacity
- Cf: Rating over front
- Cs: Rating over side
- ⊗: Rating at maximum reach

HEAVY LIFT "ON"

B \ A	⊗ MAX		12.2 m		10.7 m		9.1 m		7.6 m		6.1 m		4.6 m	
	Cf	Cs	Cf	Cs	Cf	Cs	Cf	Cs	Cf	Cs	Cf	Cs	Cf	Cs
9.1 m	*19400 kg	*19400 kg					*27000 kg	*27000 kg						
6.1 m	*18450 kg	*18450 kg			26250 kg	21400 kg	*29050 kg	27650 kg	*33150 kg	*33150 kg	*40350 kg	*40350 kg		
3.0 m	*19400 kg	18250 kg			25150 kg	20350 kg	31850 kg	25650 kg	*39650 kg	33550 kg				
0.0 m	*22500 kg	19000 kg			24450 kg	19650 kg	30500 kg	24400 kg	40150 kg	31700 kg	*53450 kg	44450 kg		
-3.0 m	*26650 kg	23700 kg					*28650 kg	24600 kg	*36850 kg	31750 kg	*45950 kg	44800 kg	*57250 kg	*57250 kg
-6.1 m														

HEAVY LIFT "OFF"

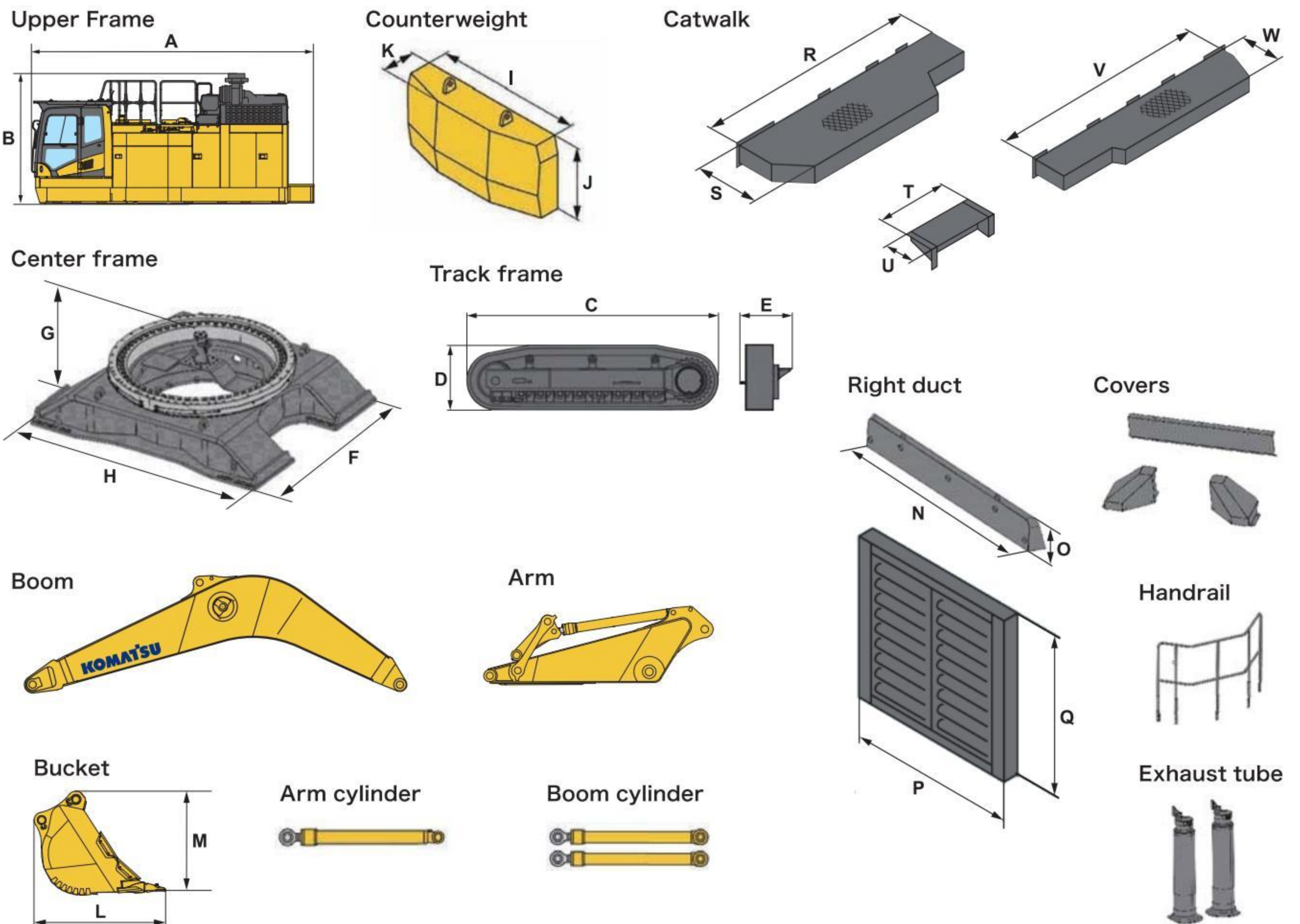
B \ A	⊗ MAX		12.2 m		10.7 m		9.1 m		7.6 m		6.1 m		4.6 m	
	Cf	Cs	Cf	Cs	Cf	Cs	Cf	Cs	Cf	Cs	Cf	Cs	Cf	Cs
9.1 m	*17550 kg	*17550 kg					*24100 kg	*24100 kg						
6.1 m	*16550 kg	*16550 kg			*23750 kg	21400 kg	*25850 kg	*25850 kg	*29550 kg	*29550 kg	*36100 kg	*36100 kg		
3.0 m	*17500 kg	*17500 kg			*25150 kg	20350 kg	*29050 kg	25650 kg	*35250 kg	33550 kg				
0.0 m	*20300 kg	19000 kg			24450 kg	19650 kg	*30250 kg	24400 kg	*37150 kg	31700 kg	*47450 kg	44450 kg		
-3.0 m	*23450 kg	*23450 kg					*25250 kg	24600 kg	*32550 kg	31750 kg	*40650 kg	*40650 kg	*50600 kg	*50600 kg
-6.1 m														

* Load is limited by hydraulic capacity rather than tipping. Ratings are based on ISO standard No. 10567. Rated loads do not exceed 87% of hydraulic lift capacity or 75% of tipping load.



Transportation volume

Item	Model	Unit	PC1250-11R			
			Standard Specification		SP Specification	Loading Shovel
			Heavy Duty Bucket	General Purpose Bucket	SP Bucket	Loading Shovel Bucket
Upper structure	Length (A) × Height (B) × Width	mm	6780 × 3030 × 3495			
	Weight (Including lifting jig)	t	29.5			
Track frame	Length (C) × Height (D) × Width (E)	mm	6365 × 1310 × 1585			
	Weight	t	31.6 (15.8t × 2)			
Center frame	Length (F) × Height (G) × Width (H)	mm	2850 × 1170 × 3540			
	Weight	t	10.2			
Counterweight	Length (I) × Height (J) × Width (K)	mm	3490 × 1995 × 855			
	Weight	t	16.6			
Work equipment assembly	Weight	t	27.2	25.8	27.9	28.4
Boom	Length × Height × Width	mm	9475 × 2894 × 1474		8170 × 3095 × 1474	
	Weight	t	11.2		11.0	
Arm	Length × Height × Width	mm	4895 × 1626 × 890		4914 × 1683 × 890	
	Weight	t	6.4		6.6	
Arm cylinder	Length	mm	3950			
	Weight	t	1.5			
Boom cylinder	Length	mm	3810			
	Weight	t	2.4 (1.2t × 2)			
Bucket cylinder	Length	mm	Included in arm			
	Weight	t	Included in arm			
Bucket	Length (L) × Height (M) × Width	mm	2580 × 2276 × 2310	2700 × 2100 × 2220	2527 × 2420 × 2530	3000 × 2700 × 2800
	Weight	t	5.8	4.4	6.5	11.0
Others	Weight	t	1.3			
Right duct	Length (N) × Height (O)	mm	2015 × 220			
	Weight	kg	15			
	Length (P) × Height (Q)	mm	2015 × 1960			
	Weight	kg	140			
Catwalk	Length (R) × Width (S)	mm	2670 × 1120			
	Weight	kg	266			
	Length (T) × Width (U)	mm	700 × 500			
	Weight	kg	40			
	Length (V) × Width (W)	mm	2725 × 620			
	Weight	kg	190			
Handrail, Covers, Exhaust tube, Step	Weight	kg	660			



PC1250-11R



STANDARD EQUIPMENT

ENGINE

- Automatic engine warm-up system
- Coolant filter
- Dry type air cleaner, double element with pre-cleaner
- Engine, Komatsu SAA6D170E-7
- Large capacity fuel pre-filter with water separator
- Variable speed cooling fan, hydraulic drive, reversible

ELECTRICAL SYSTEM

- Alternator, 24 V/90 A
- Auto-decelerator, Auto-idling system
- Auto idle shutdown (programmable)
- Batteries, 2 x 12 V/220 Ah (20-hour rate capacity)
- Battery disconnect switch
- Circuit breaker
- Horn interconnected with warning light (LED)
- Lock lever auto lock
- Power supply, 12 V
- Starting motor, 2 x 24 V/11k W
- Step light with timer (LED)
- Walkway light (LED)
- Working light, 2 boom, 2 cab roof front, 1 right front (LED)

GUARDS AND COVERS

- Cab guards
 - Bolt-on top guard, OPG Level 2 (ISO 10262)
- Radiator and oil cooler dustproof net
- Strengthened revolving frame underguards
- Track frame undercovers (Center)
- Track roller guard (Full length)
- Travel motor guards

HYDRAULIC SYSTEM

- 2 speed travel with auto shift
- 3-mode system (Power plus, Power, Economy)
- Automatic swing holding brake
- Fully hydraulic, with Open-Center Load-Sensing and engine speed sensing (Pump and engine mutual control system)
- Heavy lift mode
- In-line high pressure filters
- Pressure Proportional Control (PPC) hydraulic control system
- Shockless control system for boom
- Two-mode setting for boom

OPERATOR ENVIRONMENT

- A/C with defroster
- AM/FM radio
- Auxiliary input (3.5 mm jack)
- Cab with fixed type front window
- Engine shut down secondary switch
- High back air suspension seat, with heater
- KomVision
- Large high resolution LCD color monitor
- Lock lever
- Mirrors (RH,LH)
- Rear & Side view monitor system
- Seat belt, retractable, 78 mm
- Washable cab floor mat

OTHER EQUIPMENT

- Counterweight, 16600 kg
- Electric priming pump for fuel
- Equipment Management Monitoring System
- General tool kit
- Grease gun, electric grease pump
- Hand rails & guard rails
- Horn, electric
- KOMTRAX Plus
- One-touch engine oil drainage
- Preventive Maintenance (PM) tune-up service connector
- Rear reflectors
- Seat belt indicator
- Slip-resistant plates
- Travel alarm
- Vandalism protection locks
- Wide catwalk

UNDERCARRIAGE

- Carrier rollers, 3 (Each side)
- Hydraulic track adjusters(Each side)
- Track rollers, 8 (Each side)
- Track shoes, 700 mm double grouser



OPTIONAL EQUIPMENT

ELECTRICAL SYSTEM

- Rear working light (LED)

GUARDS AND COVERS

- Cab guards
 - Full front guard, OPG Level 2 (ISO 10262)
- Track guiding guards (Each side)

OPERATOR ENVIRONMENT

- Bluetooth radio with USB
- Cab with pull-up type front window

OTHER EQUIPMENT

- Beacon, 2 (Cab top, Counterweight top)
- Coolant heater
- Emergency stop SW, 3 (inside Cab, LH catwalk, RH deck)
- Engine oil pan heater
- Fuel quick charge system
- Hydraulically operated stairway
- Refill type electric automatic greasing system

UNDERCARRIAGE

- Shoes
 - 1000 mm double grouser

WORK EQUIPMENT

- Arms (Backhoe)
 - 3400 mm arm assembly
 - 4500 mm arm assembly
 - 5700 mm arm assembly
- Arms (L/S)
 - 3800 mm Loading shovel arm assembly
- Booms (Backhoe)
 - 7800 mm SP boom assembly
 - 9100 mm boom assembly
- Booms (L/S)
 - 5300 mm Loading shovel boom assembly